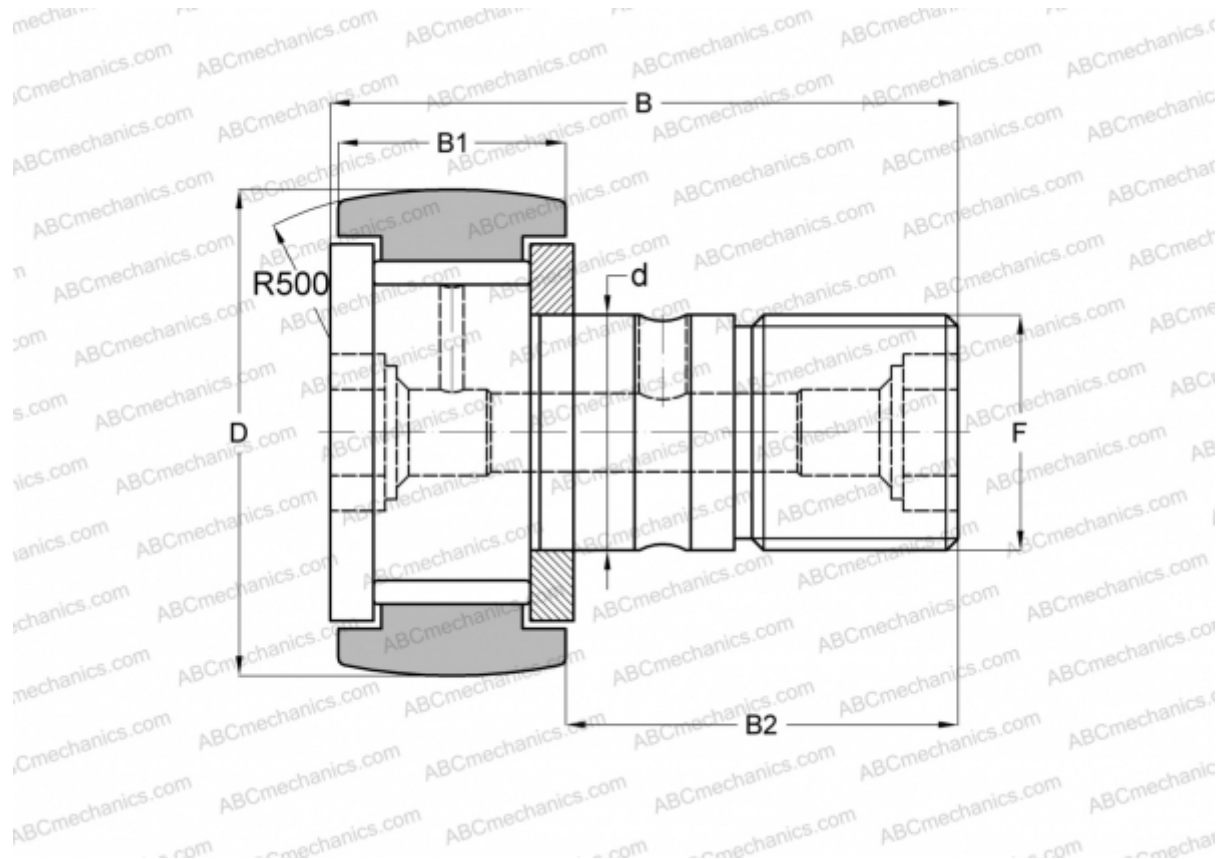


## KRV19 NTN

Cam followers

TYPE: Roller bearings, Stud type track rollers, With axial guidance, full complement bearing, gap seal on both side



### Technical specification

#### DIMENSIONS, MM

d	8,000
D	19,000
B	32,000
B1	11,000
B2	20,000
F	M8x1.25

#### INTERCHANGE

JNS	<a href="#">CF8VR</a>
THK	<a href="#">CF8VR</a>

**MANUFACTURER** [NTN](#)

#### INTERCHANGE

ABC	<a href="#">KRV 19</a>
INA	<a href="#">KRV 19</a>
SKF	<a href="#">KRV 19</a>
IKO	<a href="#">CF 8 VR</a>
McGill	<a href="#">MCF-19</a>
KOYO	<a href="#">KRV19 SK</a>