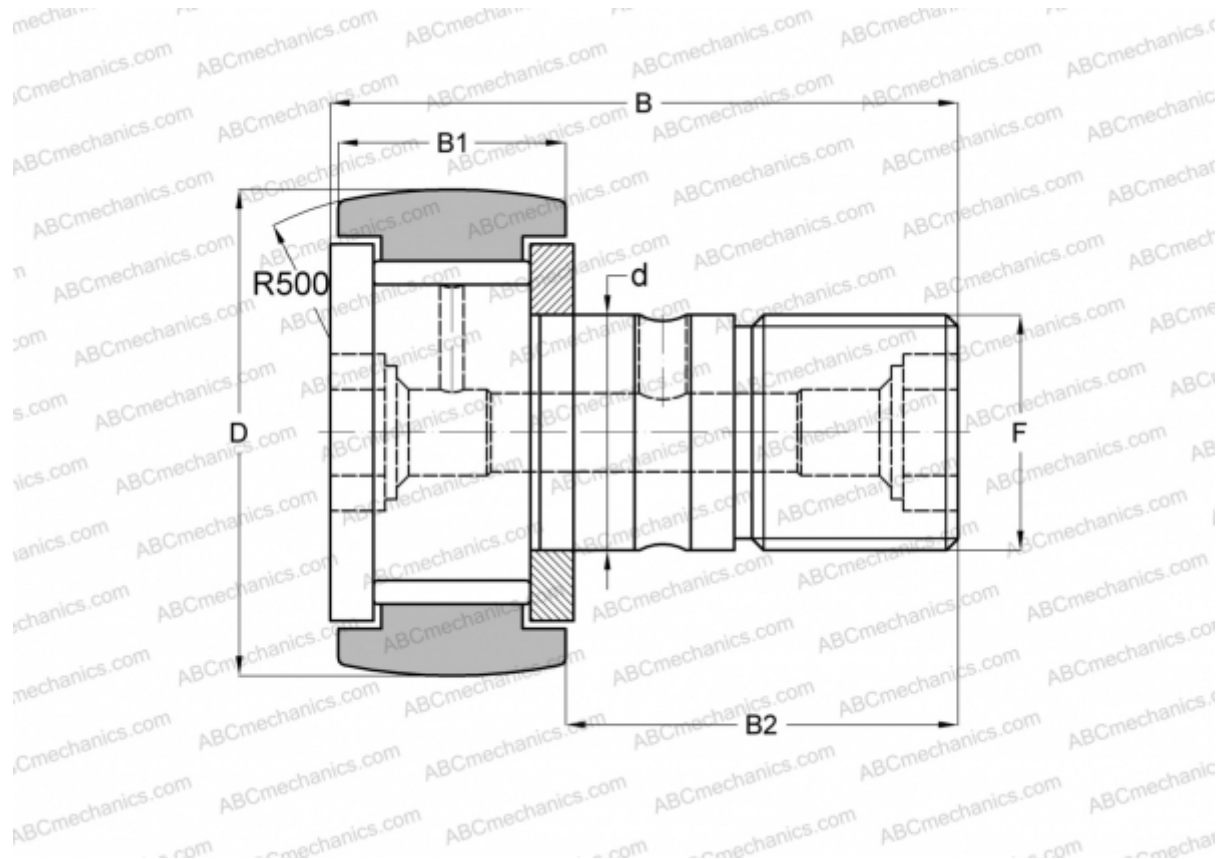


CF8VR THK

Cam followers

TYPE: Roller bearings, Stud type track rollers, With axial guidance, full complement bearing, gap seal on both side



Technical specification

DIMENSIONS, MM

d	8,000
D	19,000
B	32,000
B1	11,000
B2	20,000
F	M8x1.25

INTERCHANGE

JNS	CF8VR
NTN	KRV19

MANUFACTURER [THK](#)

INTERCHANGE

ABC	KRV 19
INA	KRV 19
SKF	KRV 19
IKO	CF 8 VR
McGill	MCF-19
KOYO	KRV19 SK