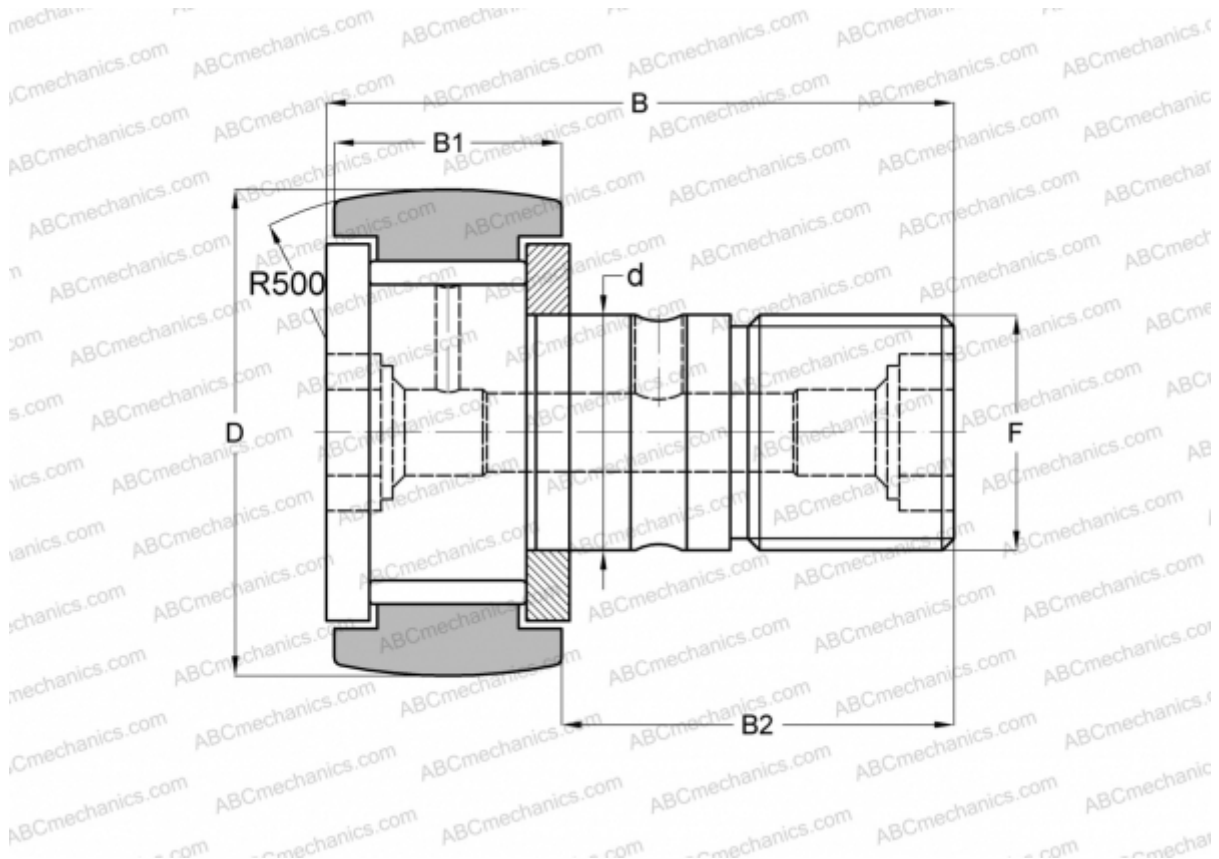


CF 6 VBR IKO

Cam followers

TYPE: Roller bearings, Stud type track rollers, With axial guidance, full complement bearing, gap seal on both side, hex socket



Technical specification

DIMENSIONS, MM

d	6,000
D	16,000
B	28,200
B1	11,000
B2	16,000
F	M6x1

MANUFACTURER

[IKO](#)

INTERCHANGE

ABC	CF 6 VBR
INA	KRV 16 SK
SKF	KRV 16 SK
McGill	MCF-16-B
JNS	CF6VRA
NTN	KRV16H/3AS