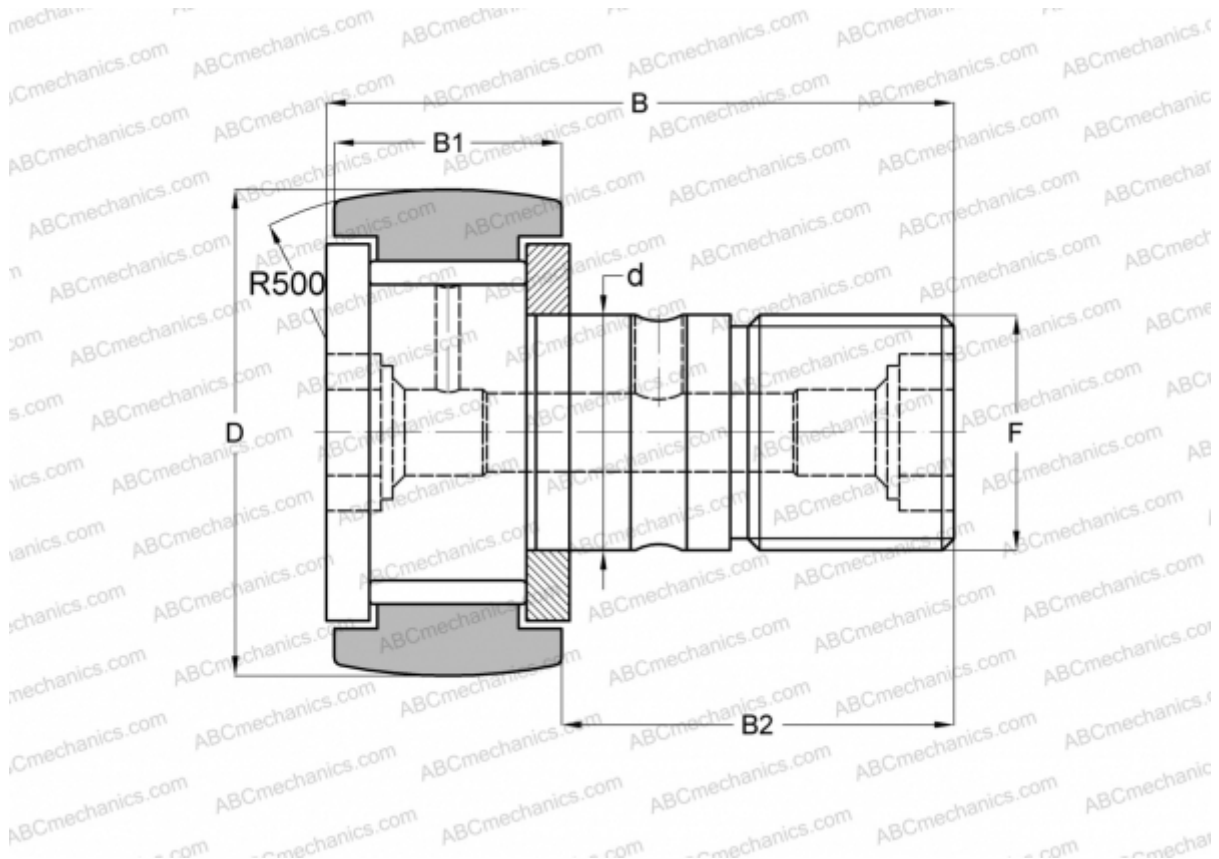


## CF 8 VBR IKO

Cam followers

TYPE: Roller bearings, Stud type track rollers, With axial guidance, full complement bearing, gap seal on both side, hex socket



### Technical specification

#### DIMENSIONS, MM

d	8,000
D	19,000
B	32,200
B1	11,000
B2	20,000
F	M8x1.25

#### MANUFACTURER

[IKO](#)

#### INTERCHANGE

ABC	<a href="#">CF 8 VBR</a>
INA	<a href="#">KRV 19 SK</a>
SKF	<a href="#">KRV 19 SK</a>
McGill	<a href="#">MCF-19-B</a>
JNS	<a href="#">CF8VRA</a>
NTN	<a href="#">KRV19H/3AS</a>