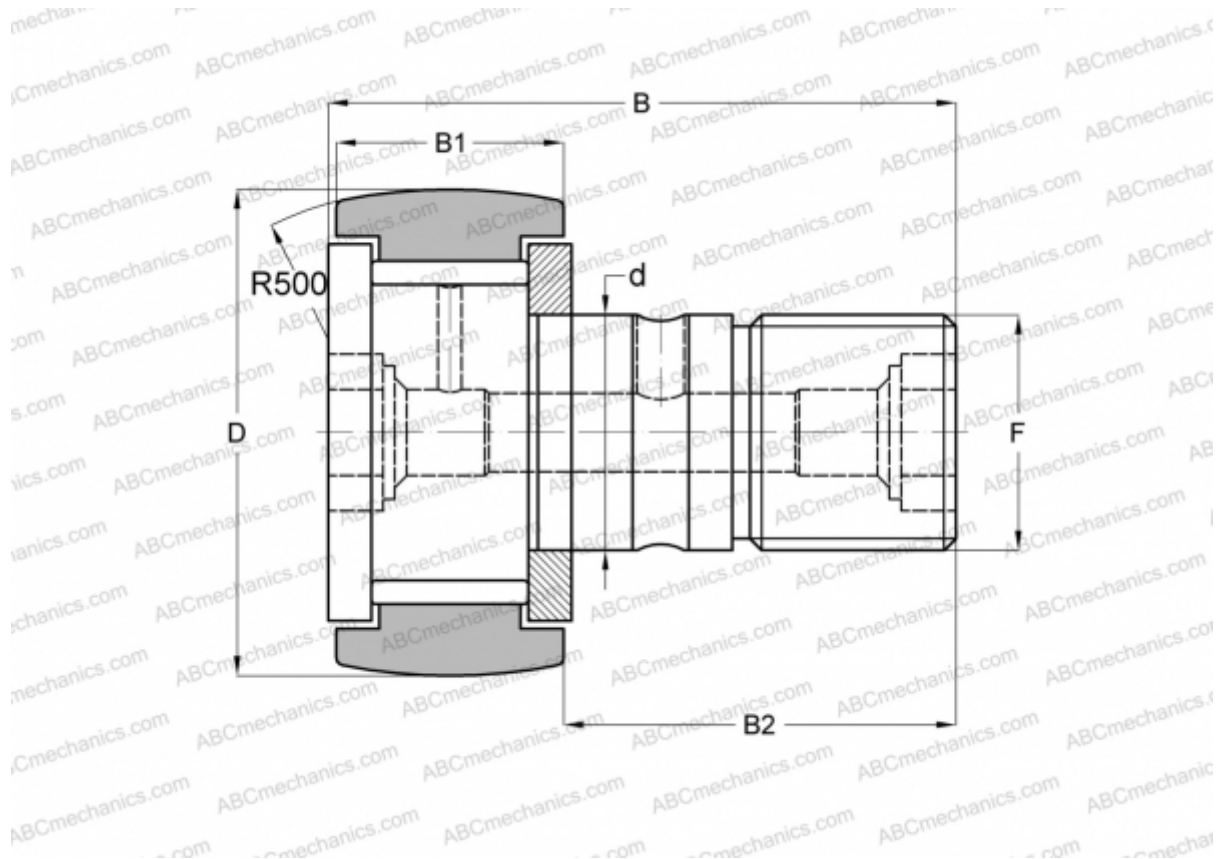


CF 10 VBRM ABC

Cam followers

TYPE: Roller bearings, Stud type track rollers, With axial guidance, full complement bearing, gap seal on both side, hex socket



Technical specification

DIMENSIONS, MM

d	10,000
D	22,000
B	36,200
B1	12,000
B2	23,000
F	M10x1

MANUFACTURER

[ABC](#)

INTERCHANGE

IKO	CF 10 VBRM
INA	KRV 22 SK
SKF	KRV 22 SK
McGill	MCF-22-B
JNS	CF10VRAK