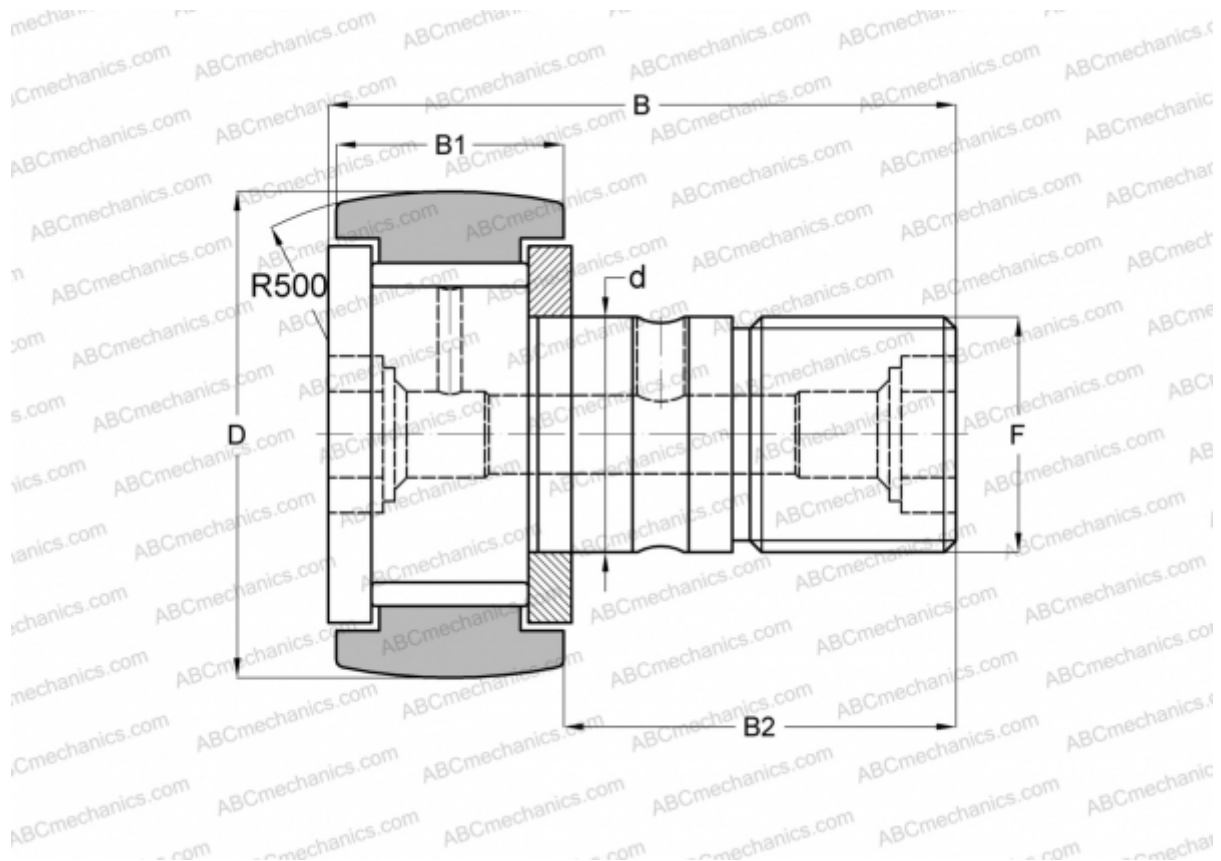


## CF10VRAK JNS

Cam followers

TYPE: Roller bearings, Stud type track rollers, With axial guidance, full complement bearing, gap seal on both side, hex socket



### Technical specification

#### DIMENSIONS, MM

d	10,000
D	22,000
B	36,200
B1	12,000
B2	23,000
F	M10x1

#### MANUFACTURER

[JNS](#)

#### INTERCHANGE

ABC	<a href="#">CF 10 VBRM</a>
IKO	<a href="#">CF 10 VBRM</a>
INA	<a href="#">KRV 22 SK</a>
SKF	<a href="#">KRV 22 SK</a>
McGill	<a href="#">MCF-22-B</a>