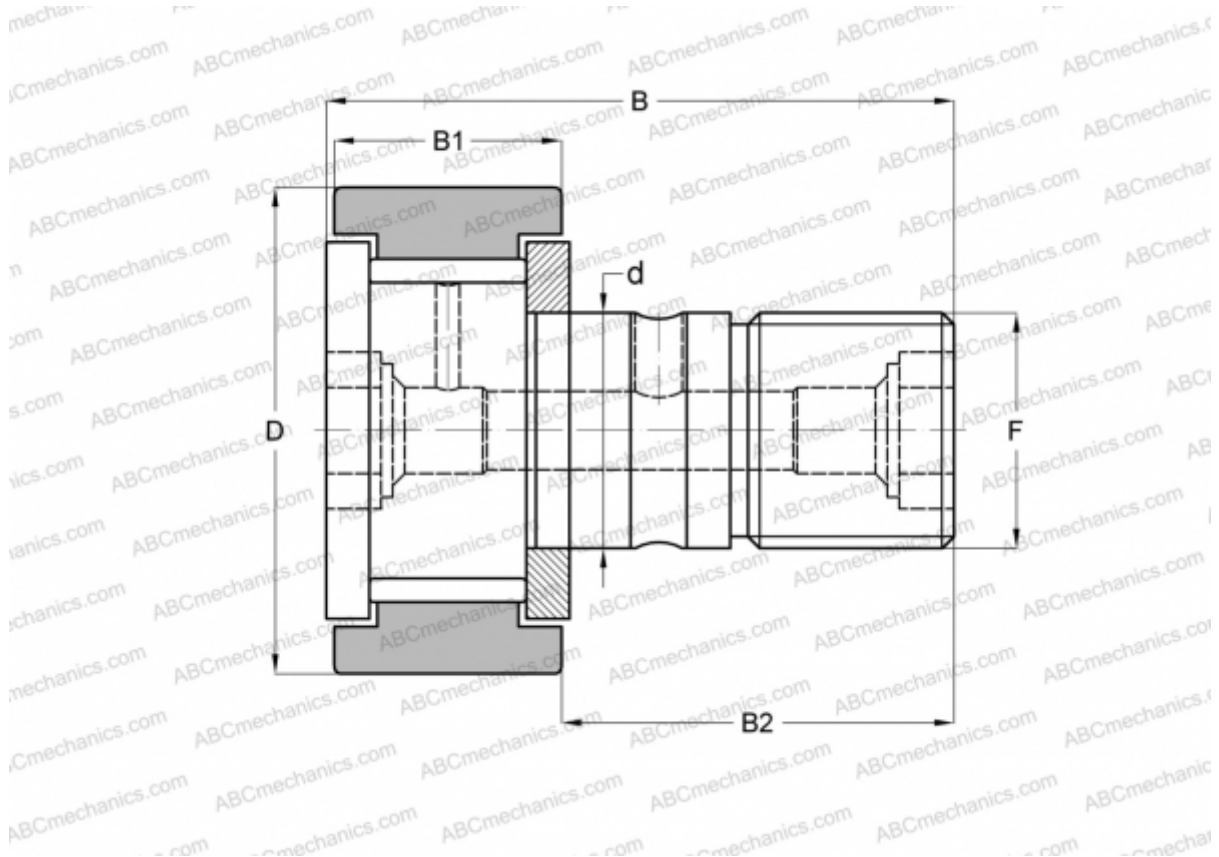


## CF6V JNS

Cam followers

TYPE: Roller bearings, Stud type track rollers, With axial guidance, full complement bearing, gap seal on both side, cylindrical outer ring



### Technical specification

#### DIMENSIONS, MM

d	6,000
D	16,000
B	28,000
B1	11,000
B2	16,000
F	M6x1

#### MANUFACTURER

[JNS](#)

#### INTERCHANGE

ABC	<a href="#">KRV 16 X</a>
INA	<a href="#">KRV 16 X</a>
SKF	<a href="#">KRV 16 X</a>
IKO	<a href="#">CF 6 V</a>
McGill	<a href="#">MCF-16-X</a>
NTN	<a href="#">KRV16X</a>