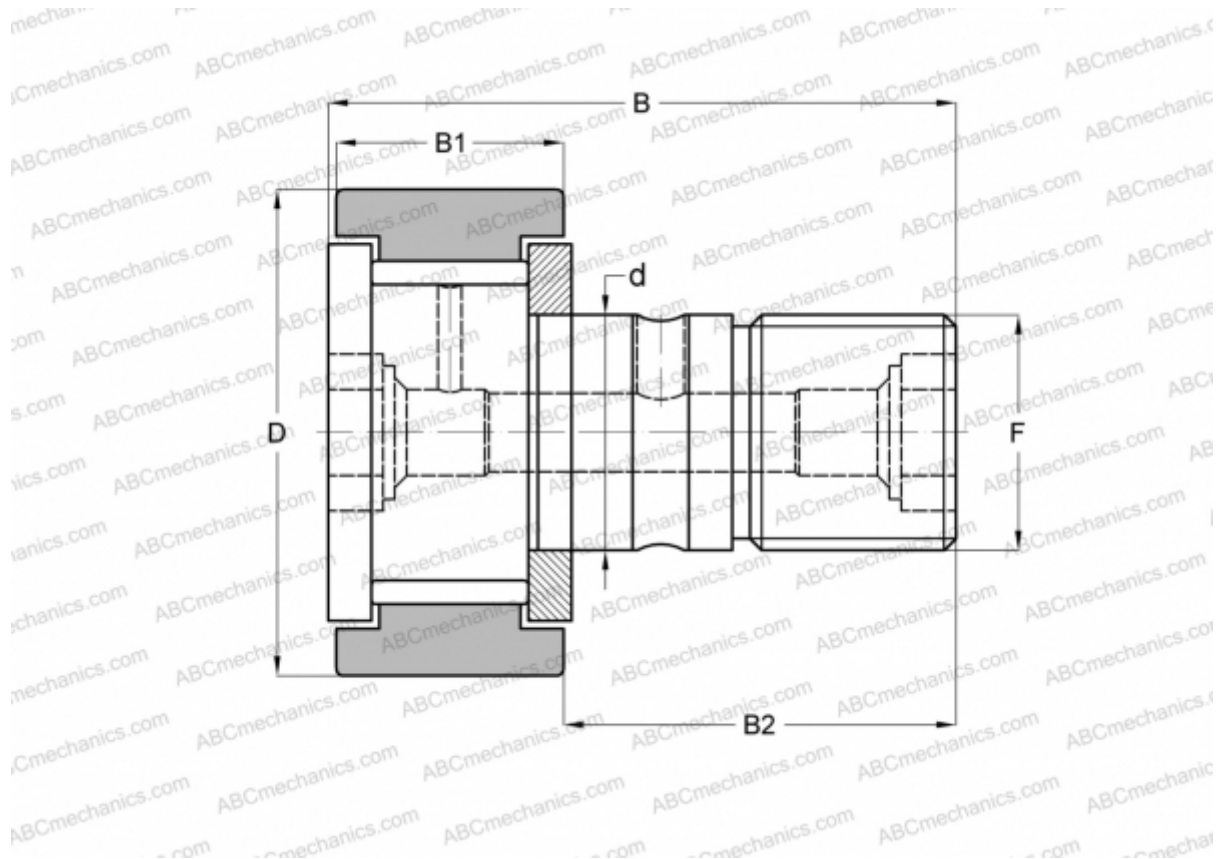


## KRV19X NTN

Cam followers

TYPE: Roller bearings, Stud type track rollers, With axial guidance, full complement bearing, gap seal on both side, cylindrical outer ring



### Technical specification

#### DIMENSIONS, MM

d	8,000
D	19,000
B	32,000
B1	11,000
B2	20,000
F	M8x1.25

**MANUFACTURER** [NTN](#)

#### INTERCHANGE

ABC	<a href="#">KRV 19 X</a>
INA	<a href="#">KRV 19 X</a>
SKF	<a href="#">KRV 19 X</a>
IKO	<a href="#">CF 8 V</a>
McGill	<a href="#">MCF-19-X</a>
JNS	<a href="#">CF8V</a>