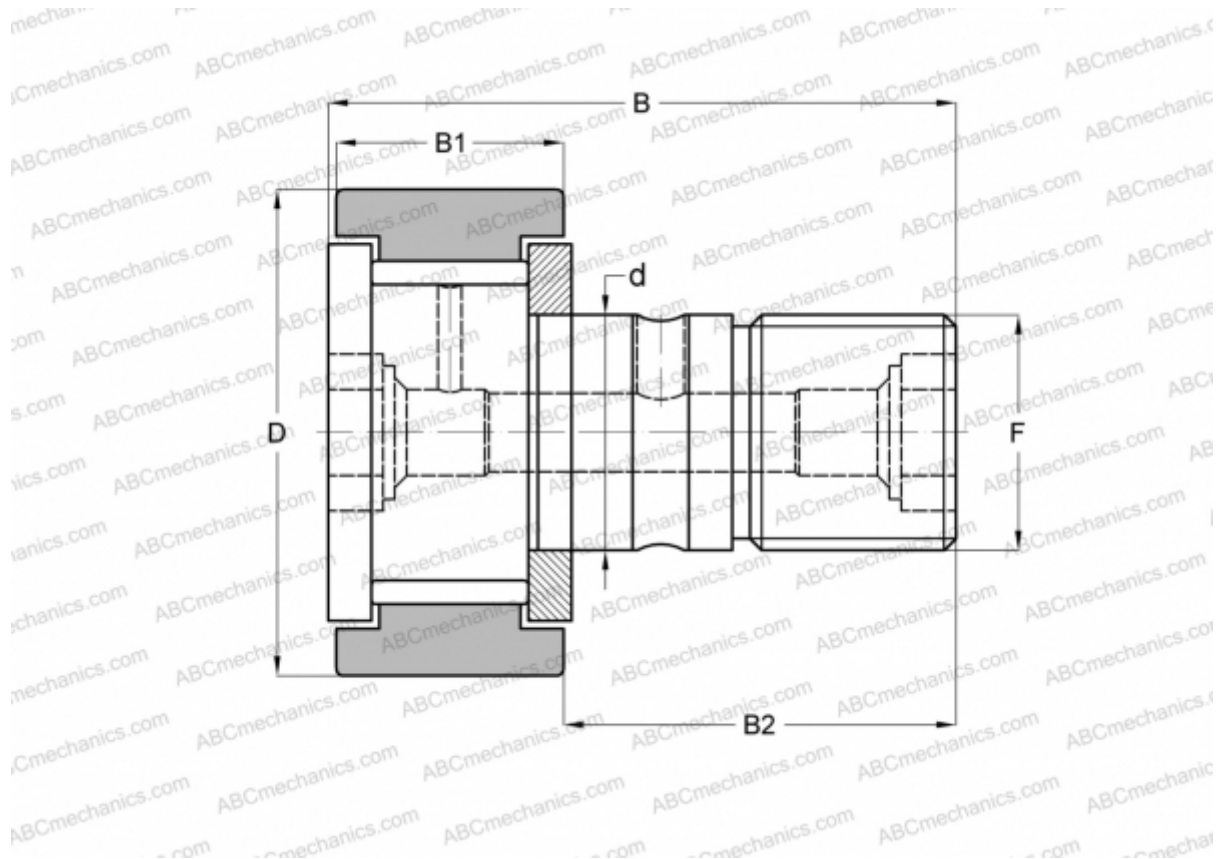


CF 6 VB ABC

Cam followers

TYPE: Roller bearings, Stud type track rollers, With axial guidance, full complement bearing, gap seal on both side, cylindrical outer ring, hex socket



Technical specification

DIMENSIONS, MM

d	6,000
D	16,000
B	28,200
B1	11,000
B2	16,000
F	M6x1

MANUFACTURER [ABC](#)

INTERCHANGE

IKO	CF 6 VB
INA	KRV 16 XSK
SKF	KRV 16 XSK
McGill	MCF-16-BX
JNS	CF6VA
NTN	KRV16XH/3AS