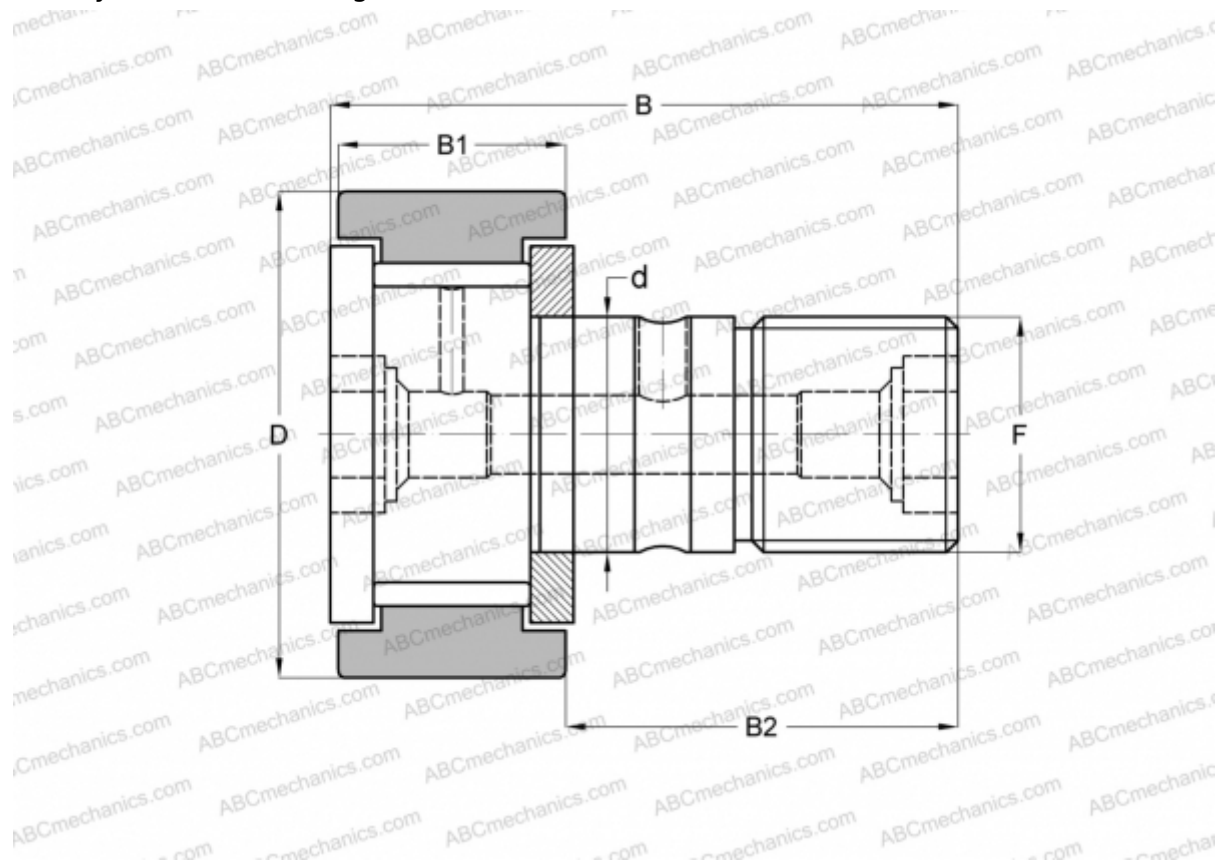


## KRV 16 XSK INA

Cam followers

TYPE: Roller bearings, Stud type track rollers, With axial guidance, full complement bearing, gap seal on both side, cylindrical outer ring, hex socket



### Technical specification

#### DIMENSIONS, MM

d	6,000
D	16,000
B	28,200
B1	11,000
B2	16,000
F	M6x1

#### MANUFACTURER

[INA](#)

#### INTERCHANGE

ABC	<a href="#">CF 6 VB</a>
IKO	<a href="#">CF 6 VB</a>
SKF	<a href="#">KRV 16 XSK</a>
McGill	<a href="#">MCF-16-BX</a>
JNS	<a href="#">CF6VA</a>
NTN	<a href="#">KRV16XH/3AS</a>