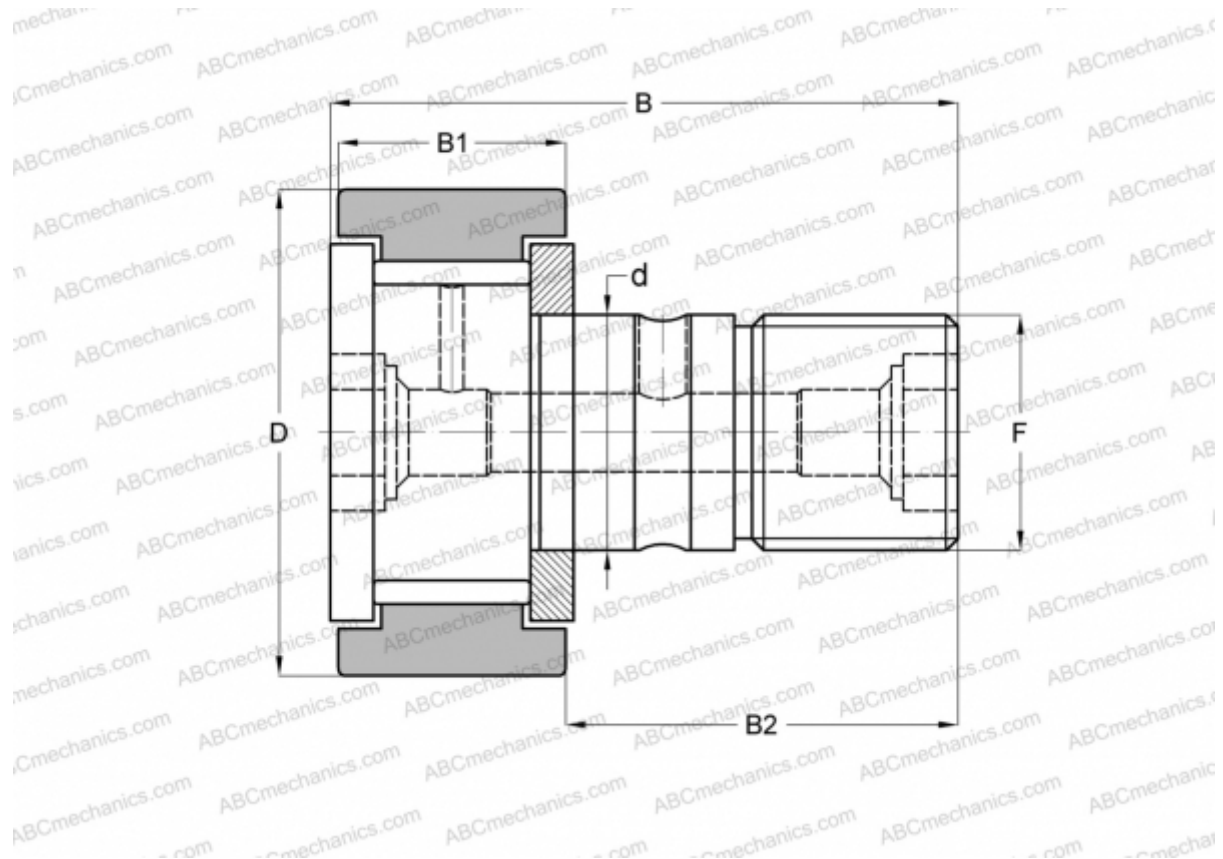


## KRV 16 XSK SKF

Cam followers

TYPE: Roller bearings, Stud type track rollers, With axial guidance, full complement bearing, gap seal on both side, cylindrical outer ring, hex socket



### Technical specification

#### DIMENSIONS, MM

|    |        |
|----|--------|
| d  | 6,000  |
| D  | 16,000 |
| B  | 28,200 |
| B1 | 11,000 |
| B2 | 16,000 |
| F  | M6x1   |

#### MANUFACTURER

[SKF](#)

#### INTERCHANGE

|        |                             |
|--------|-----------------------------|
| ABC    | <a href="#">CF 6 VB</a>     |
| IKO    | <a href="#">CF 6 VB</a>     |
| INA    | <a href="#">KRV 16 XSK</a>  |
| McGill | <a href="#">MCF-16-BX</a>   |
| JNS    | <a href="#">CF6VA</a>       |
| NTN    | <a href="#">KRV16XH/3AS</a> |