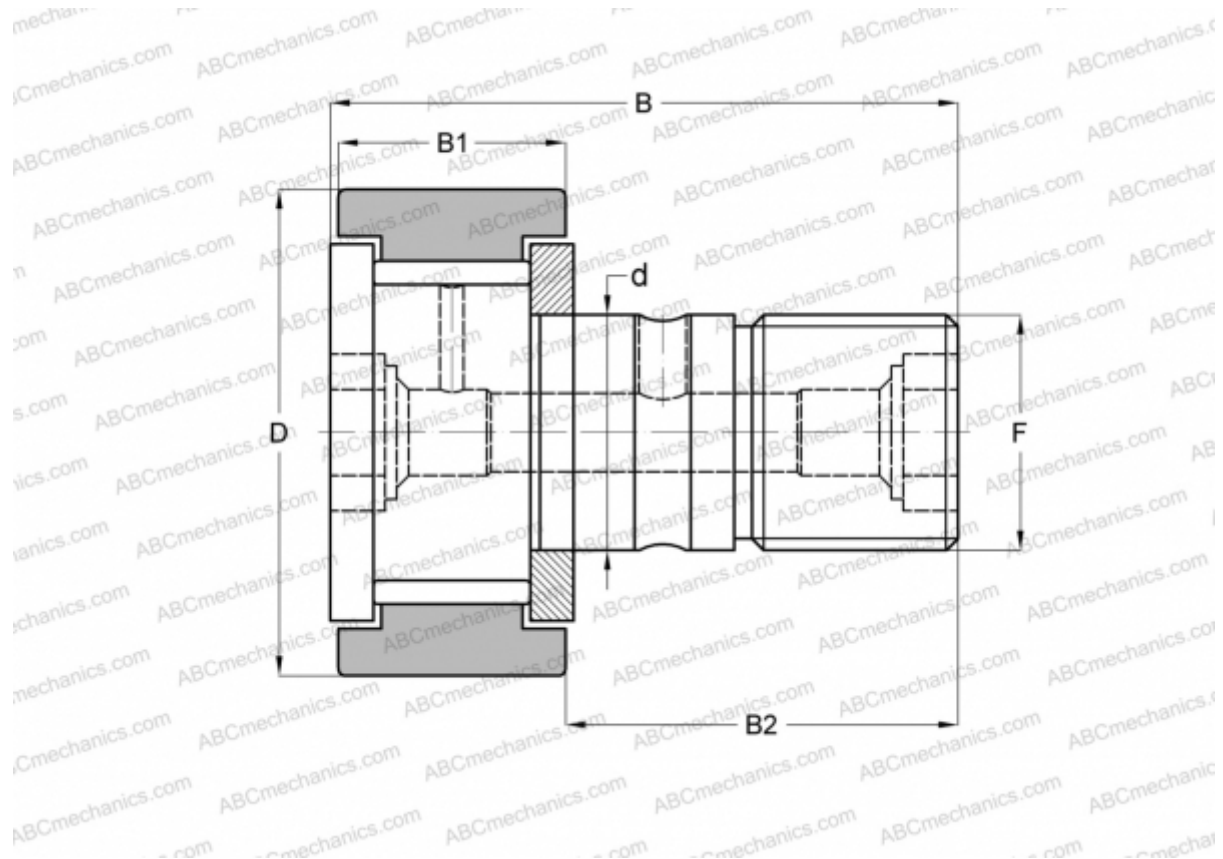


KRV 19 XSK INA

Cam followers

TYPE: Roller bearings, Stud type track rollers, With axial guidance, full complement bearing, gap seal on both side, cylindrical outer ring, hex socket



Technical specification

DIMENSIONS, MM

d	8,000
D	19,000
B	32,200
B1	11,000
B2	20,000
F	M8x1.25

MANUFACTURER

[INA](#)

INTERCHANGE

ABC	CF 8 VB
IKO	CF 8 VB
SKF	KRV 19 XSK
McGill	MCF-19-BX
JNS	CF8VA
NTN	KRV19XH/3AS