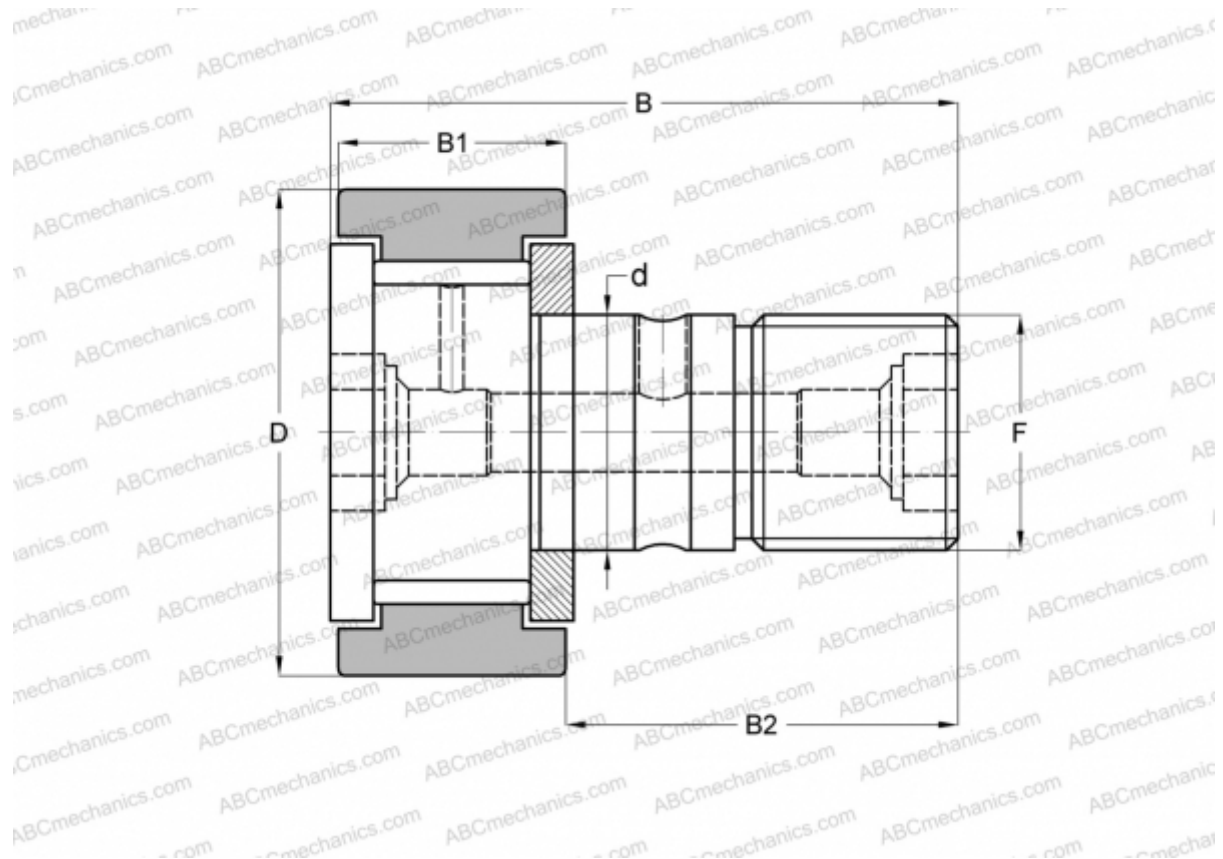


MCF-19-BX McGill

Cam followers

TYPE: Roller bearings, Stud type track rollers, With axial guidance, full complement bearing, gap seal on both side, cylindrical outer ring, hex socket



Technical specification

DIMENSIONS, MM

| | |
|----|---------|
| d | 8,000 |
| D | 19,000 |
| B | 32,200 |
| B1 | 11,000 |
| B2 | 20,000 |
| F | M8x1.25 |

MANUFACTURER [McGill](#)

INTERCHANGE

| | |
|-----|-----------------------------|
| ABC | CF 8 VB |
| IKO | CF 8 VB |
| INA | KRV 19 XSK |
| SKF | KRV 19 XSK |
| JNS | CF8VA |
| NTN | KRV19XH/3AS |