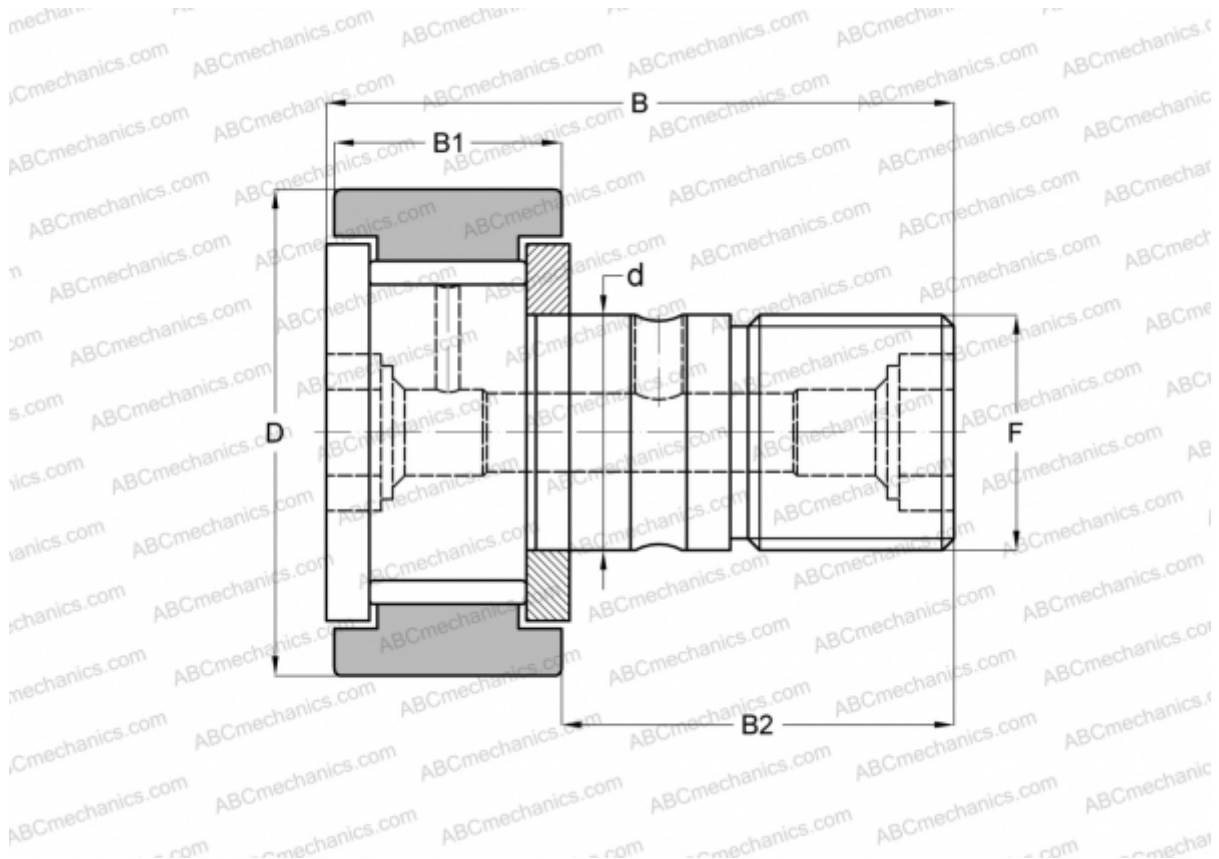


## CF8VA JNS

Cam followers

TYPE: Roller bearings, Stud type track rollers, With axial guidance, full complement bearing, gap seal on both side, cylindrical outer ring, hex socket



### Technical specification

#### DIMENSIONS, MM

|    |         |
|----|---------|
| d  | 8,000   |
| D  | 19,000  |
| B  | 32,200  |
| B1 | 11,000  |
| B2 | 20,000  |
| F  | M8x1.25 |

#### MANUFACTURER

[JNS](#)

#### INTERCHANGE

|        |                             |
|--------|-----------------------------|
| ABC    | <a href="#">CF 8 VB</a>     |
| IKO    | <a href="#">CF 8 VB</a>     |
| INA    | <a href="#">KRV 19 XSK</a>  |
| SKF    | <a href="#">KRV 19 XSK</a>  |
| McGill | <a href="#">MCF-19-BX</a>   |
| NTN    | <a href="#">KRV19XH/3AS</a> |