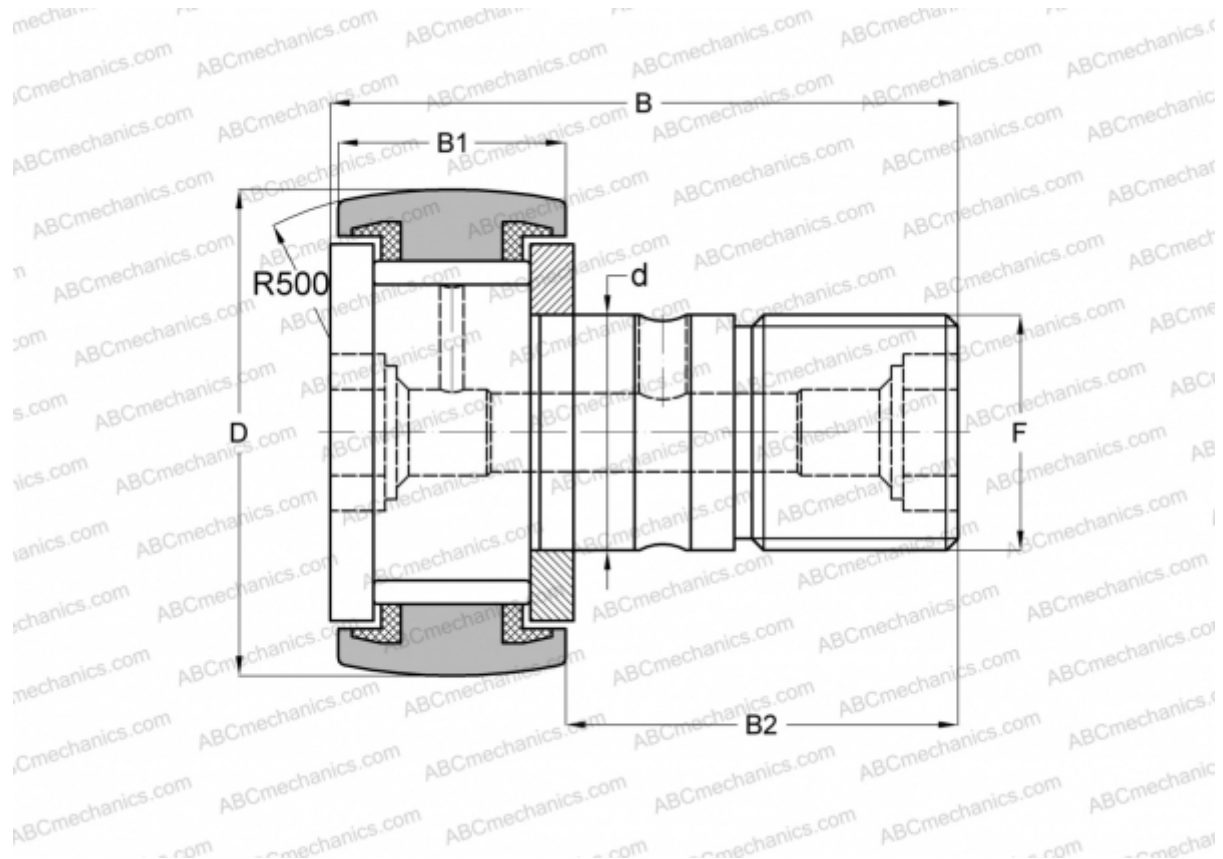


## KRV16 2RS SK KOYO

Cam followers

TYPE: Roller bearings, Stud type track rollers, With axial guidance, full complement bearing, sealing rings on both sides



### Technical specification

#### DIMENSIONS, MM

d	6,000
D	16,000
B	28,000
B1	11,000
B2	16,000
F	M6x1

#### MANUFACTURER

[KOYO](#)

#### INTERCHANGE

ABC	<a href="#">KRV 16 PP</a>
SKF	<a href="#">KRV 16 PPA</a>
IKO	<a href="#">CF 6 VUUR</a>
McGill	<a href="#">MCF-16-S</a>
INA	<a href="#">KRV16-PP</a>
JNS	<a href="#">CF6VUUR</a>

#### INTERCHANGE

NTN

[KRV16LL](#)