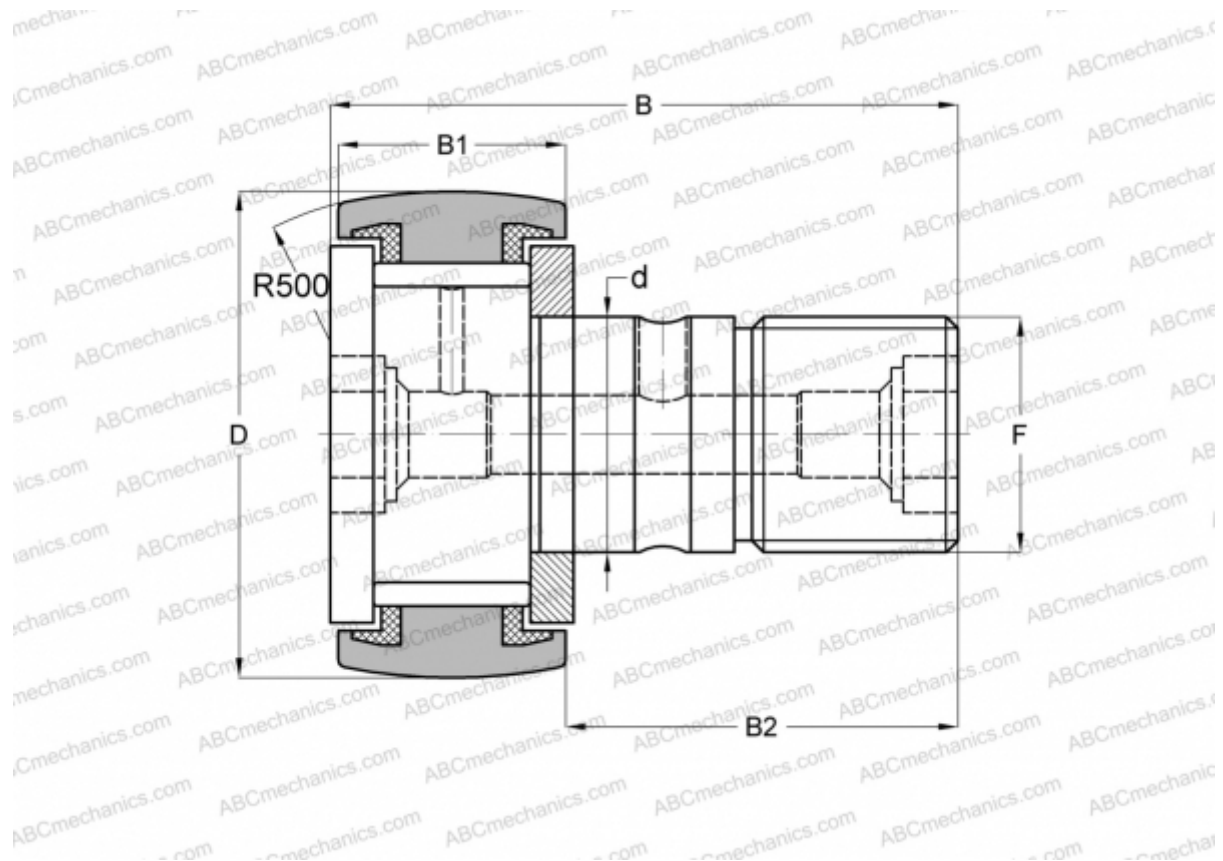


KRV16LL NTN

Cam followers

TYPE: Roller bearings, Stud type track rollers, With axial guidance, full complement bearing, sealing rings on both sides



Technical specification

DIMENSIONS, MM

d	6,000
D	16,000
B	28,000
B1	11,000
B2	16,000
F	M6x1

INTERCHANGE

JNS	CF6VUUR
-----	-------------------------

MANUFACTURER [NTN](#)

INTERCHANGE

ABC	KRV 16 PP
SKF	KRV 16 PPA
IKO	CF 6 VUUR
McGill	MCF-16-S
INA	KRV16-PP
KOYO	KRV16 2RS SK