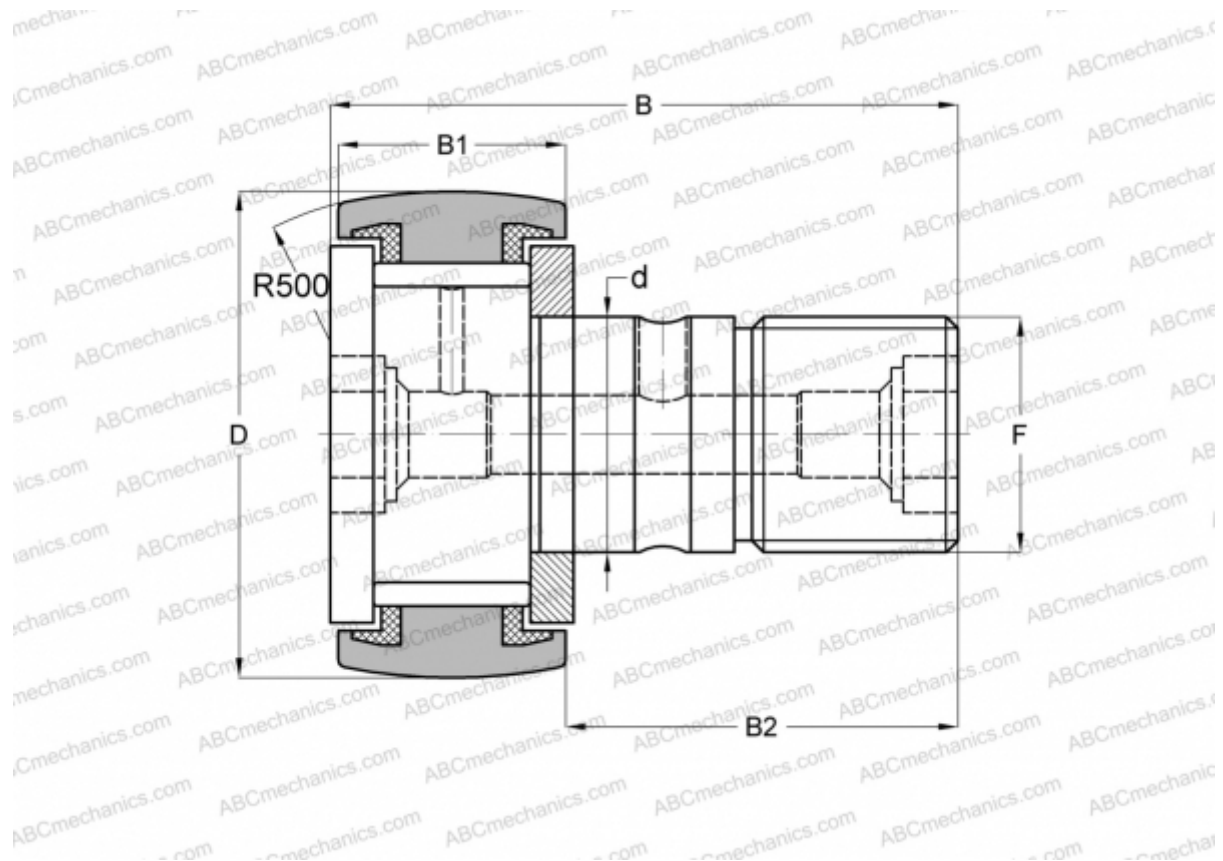


KRV19LL NTN

Cam followers

TYPE: Roller bearings, Stud type track rollers, With axial guidance, full complement bearing, sealing rings on both sides



Technical specification

DIMENSIONS, MM

d	8,000
D	19,000
B	32,000
B1	11,000
B2	20,000
F	M8x1.25

INTERCHANGE

JNS	CF8VUUR
-----	-------------------------

MANUFACTURER [NTN](#)

INTERCHANGE

ABC	KRV 19 PP
SKF	KRV 19 PPA
IKO	CF 8 VUUR
McGill	MCF-19-S
INA	KRV19-PP
KOYO	KRV19 2RS SK