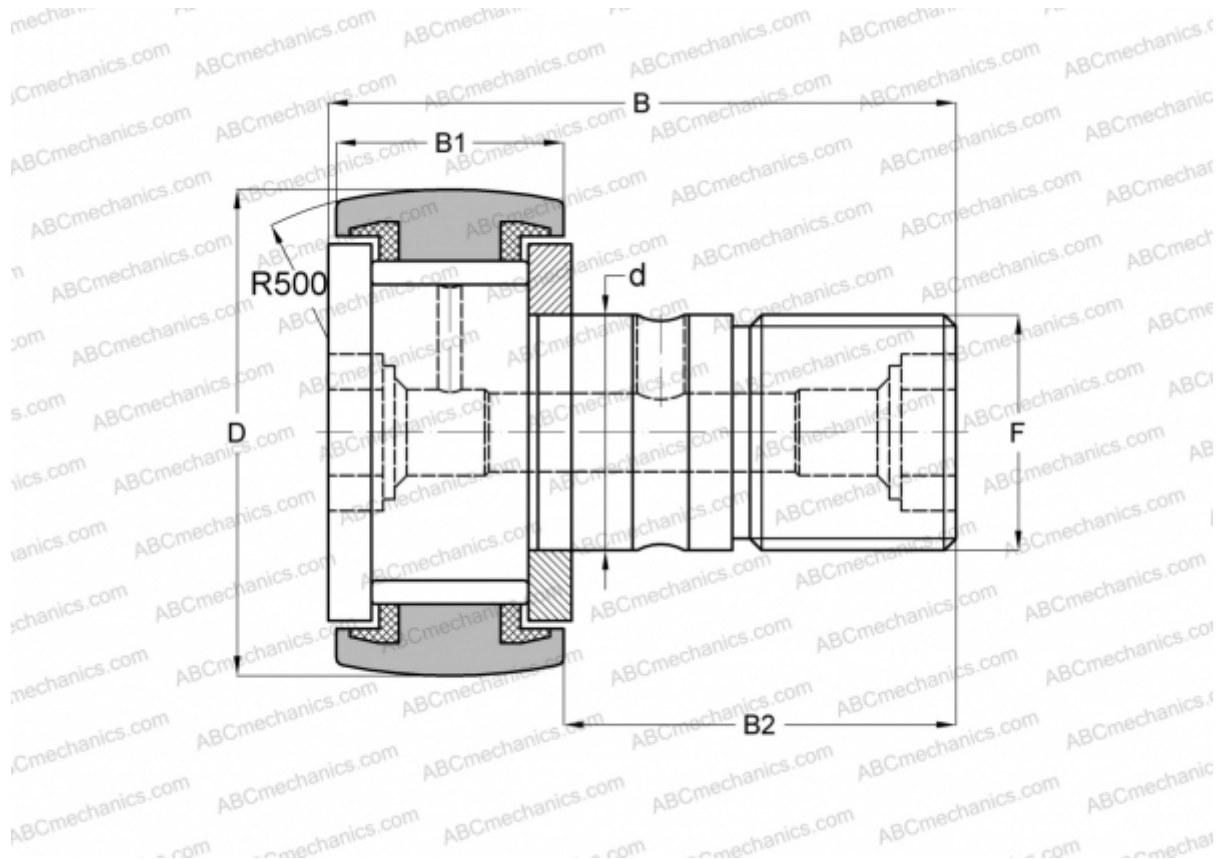


CF6VUURA JNS

Cam followers

TYPE: Roller bearings, Stud type track rollers, With axial guidance, full complement bearing, sealing rings on both sides, hex socket



Technical specification

DIMENSIONS, MM

d	6,000
D	16,000
B	28,200
B1	11,000
B2	16,000
F	M6x1

MANUFACTURER

[JNS](#)

INTERCHANGE

ABC	CF 6 VBUUR
IKO	CF 6 VBUUR
INA	KRV 16 PPSK
SKF	KRV 16 PPSK
McGill	MCF-16-SB
NTN	KRV16LLH/3AS