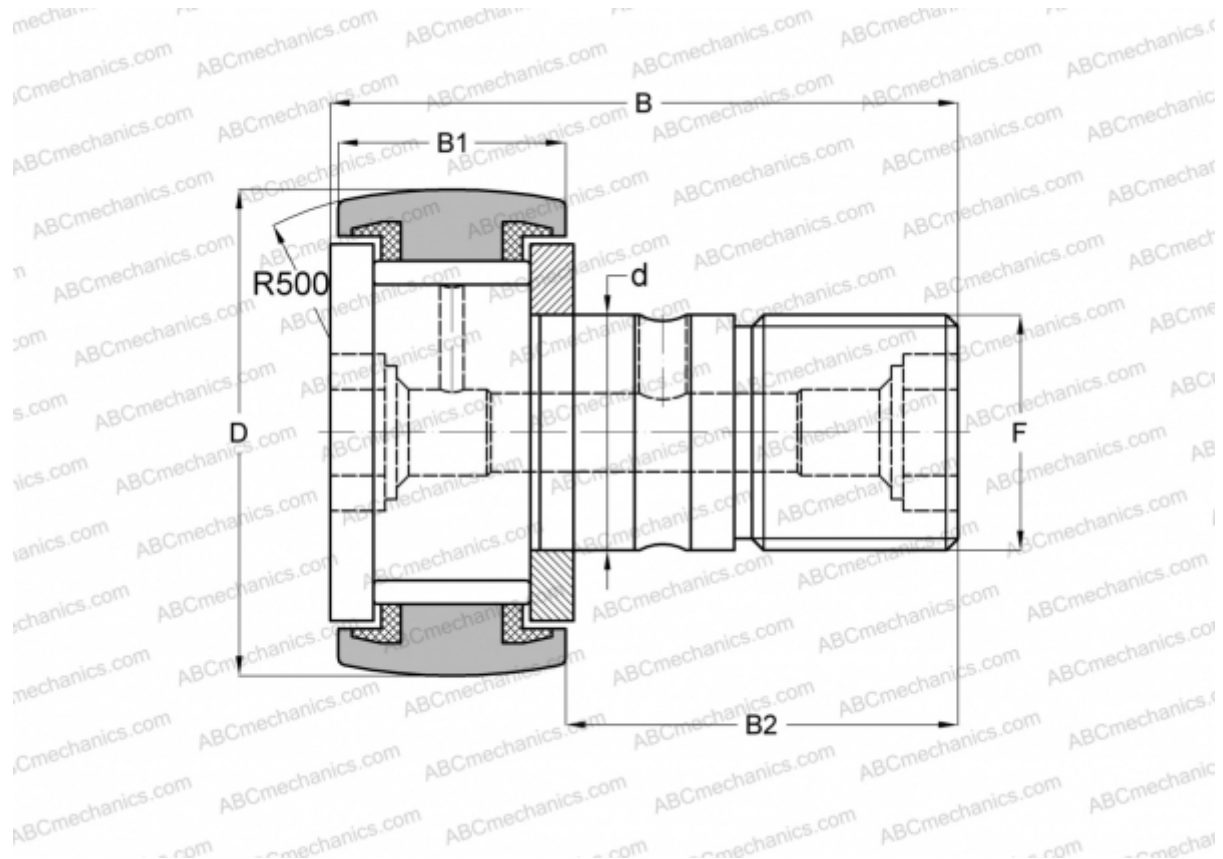


## KRV19LLH/3AS NTN

Cam followers

TYPE: Roller bearings, Stud type track rollers, With axial guidance, full complement bearing, sealing rings on both sides, hex socket



### Technical specification

#### DIMENSIONS, MM

d	8,000
D	19,000
B	32,200
B1	11,000
B2	20,000
F	M8x1.25

**MANUFACTURER** [NTN](#)

#### INTERCHANGE

ABC	<a href="#">CF 8 VBUUR</a>
IKO	<a href="#">CF 8 VBUUR</a>
INA	<a href="#">KRV 19 PPSK</a>
SKF	<a href="#">KRV 19 PPSK</a>
McGill	<a href="#">MCF-19-SB</a>
JNS	<a href="#">CF8VUURA</a>