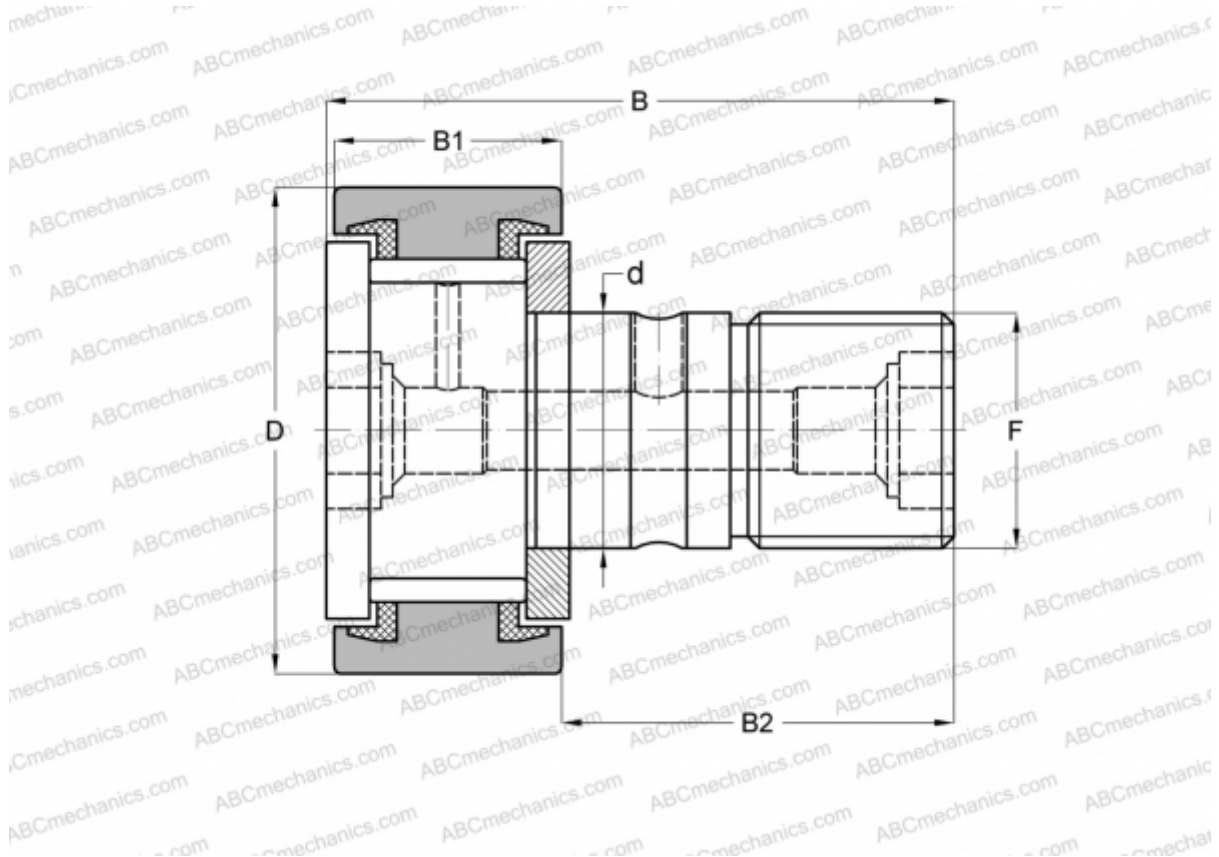


CF6VUU JNS

Cam followers

TYPE: Roller bearings, Stud type track rollers, With axial guidance, full complement bearing, sealing rings on both sides, cylindrical outer ring



Technical specification

DIMENSIONS, MM

d	6,000
D	16,000
B	28,000
B1	11,000
B2	16,000
F	M6x1

MANUFACTURER

[JNS](#)

INTERCHANGE

ABC	KRV 16 PPX
SKF	KRV 16 PPXA
IKO	CF 6 VUU
McGill	MCF-16-SX
INA	KRV16-PPX
NTN	KRV16XLL