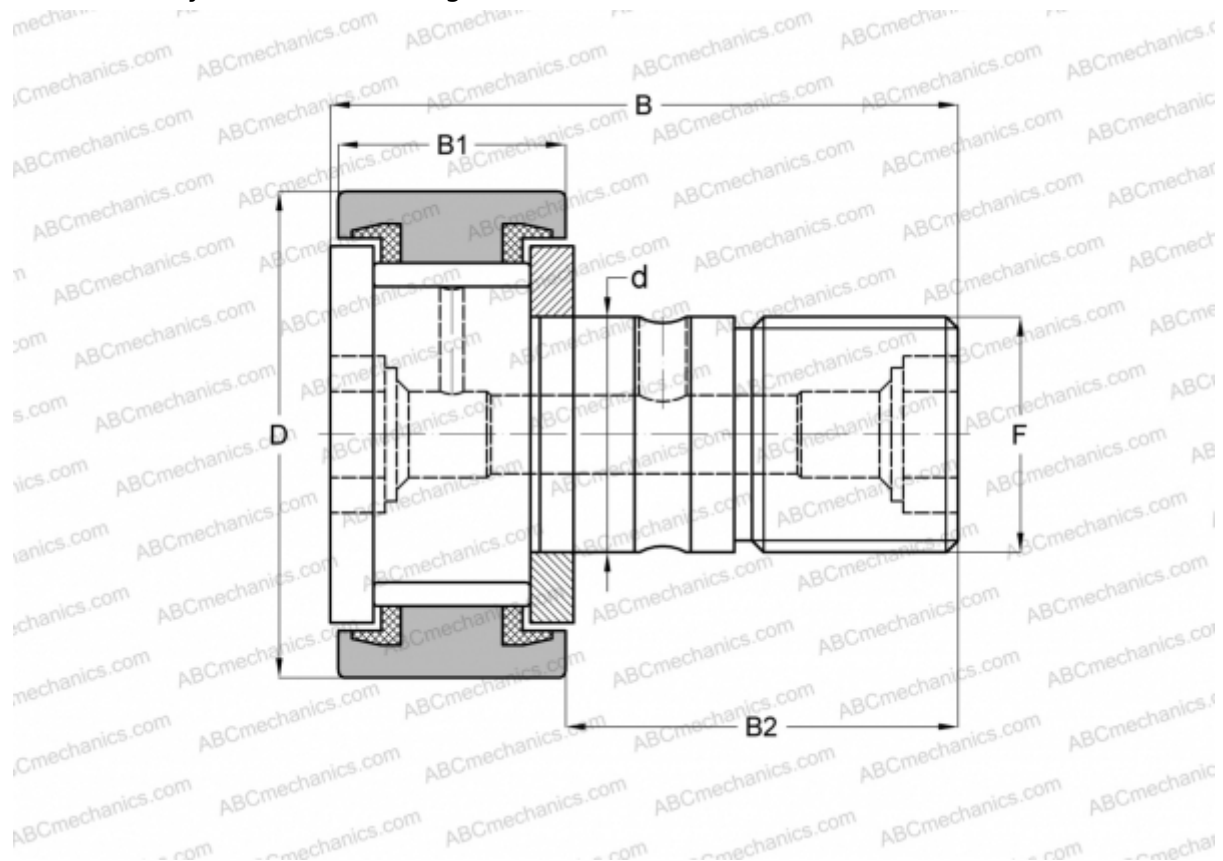


MCF-16-SBX McGill

Cam followers

TYPE: Roller bearings, Stud type track rollers, With axial guidance, full complement bearing, sealing rings on both sides, cylindrical outer ring



Technical specification

DIMENSIONS, MM

d	6,000
D	16,000
B	28,200
B1	11,000
B2	16,000
F	M6x1

MANUFACTURER [McGill](#)

INTERCHANGE

ABC	CF 6 VBUU
IKO	CF 6 VBUU
INA	KRV 16 PPXSK
SKF	KRV 16 PPXSK
JNS	CF6VUUA
NTN	KRV16XLLH/3AS