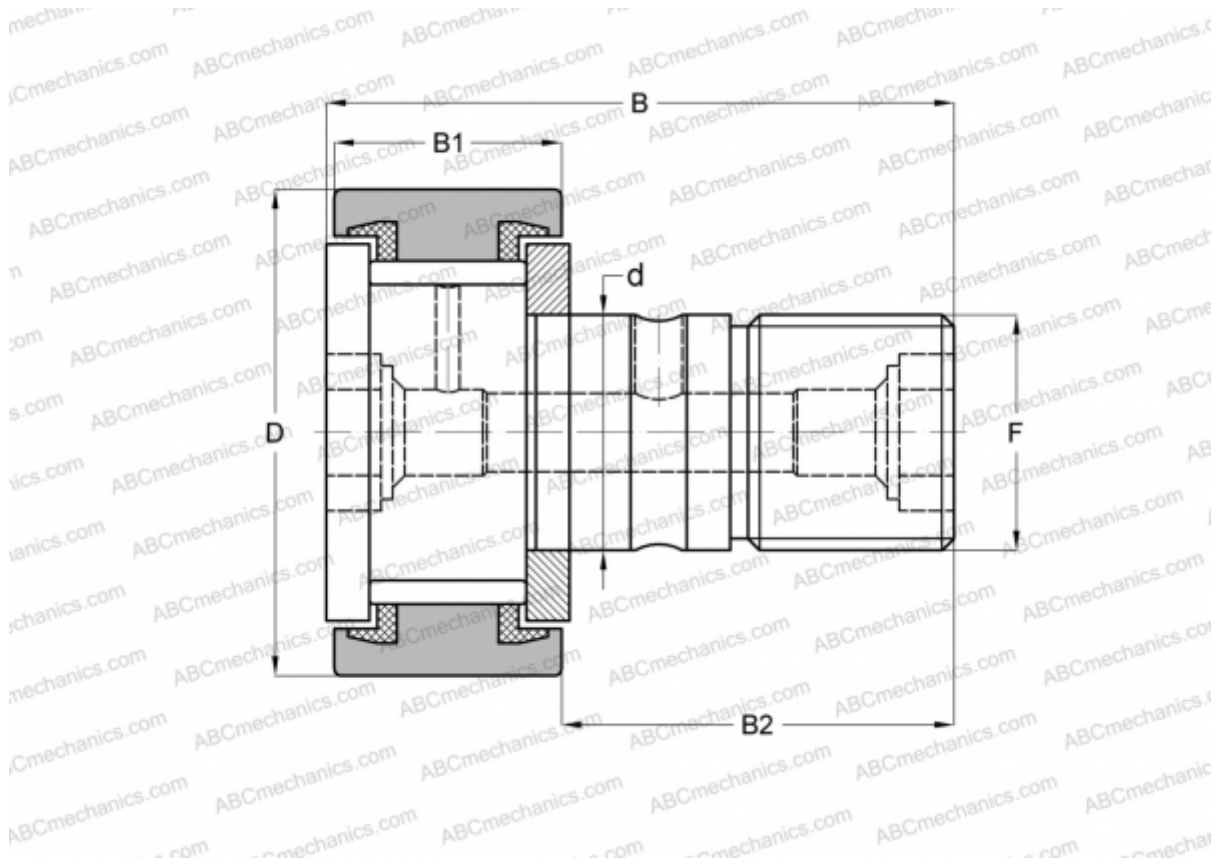


KRV 19 PPXSK SKF

Cam followers

TYPE: Roller bearings, Stud type track rollers, With axial guidance, full complement bearing, sealing rings on both sides, cylindrical outer ring



Technical specification

DIMENSIONS, MM

d	8,000
D	19,000
B	32,200
B1	11,000
B2	20,000
F	M8x1.25

MANUFACTURER

[SKF](#)

INTERCHANGE

ABC	CF 8 VBUU
IKO	CF 8 VBUU
INA	KRV 19 PPXSK
McGill	MCF-19-SBX
JNS	CF8VUUA
NTN	KRV19XLLH/3AS