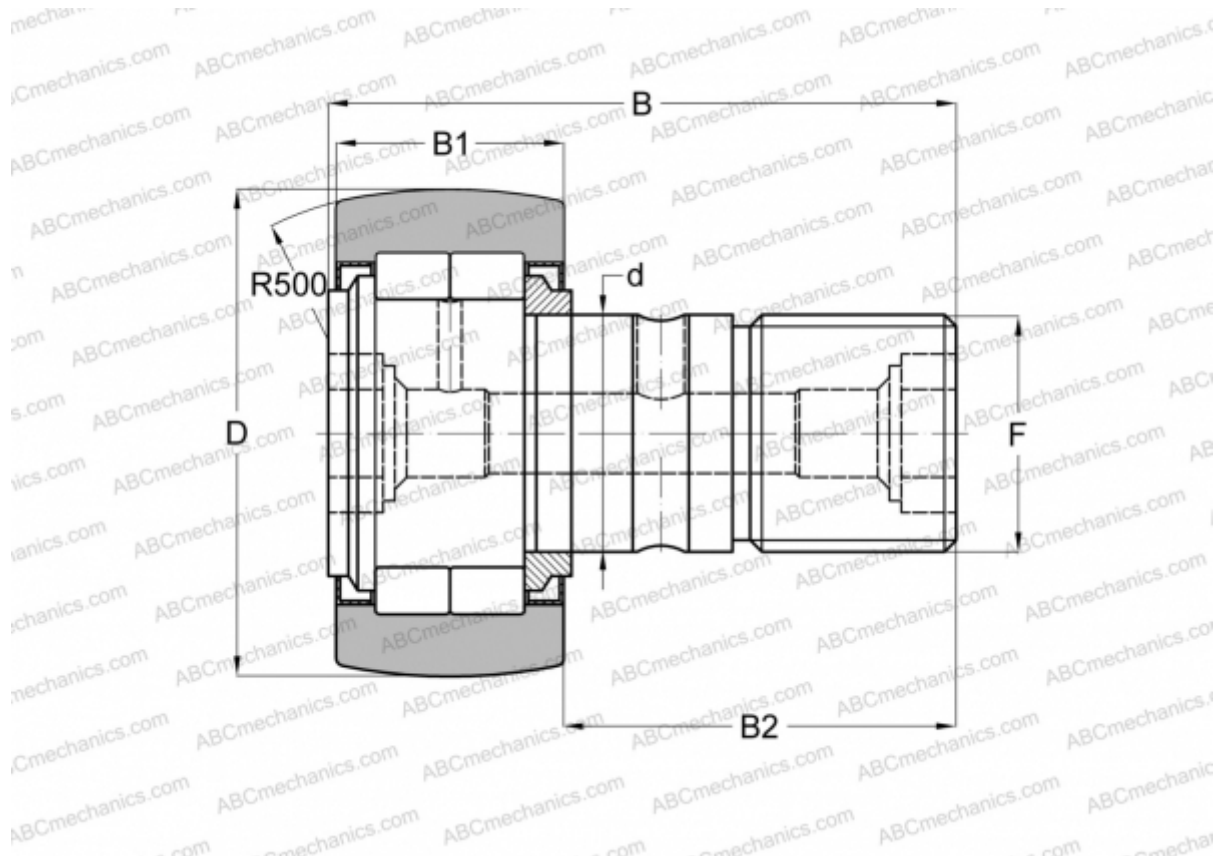


NUCF 10-1 R IKO

Cam followers

TYPE: Roller bearings, Stud type track rollers, With axial guidance, full complement cylindrical roller set, labyrinth seals on both sides



Technical specification

DIMENSIONS, MM

| | |
|----|----------|
| d | 10,000 |
| D | 26,000 |
| B | 36,200 |
| B1 | 12,000 |
| B2 | 23,000 |
| F | M10x1.25 |

MANUFACTURER [IKO](#)

INTERCHANGE

ABC [NUCF 10-1 R](#)