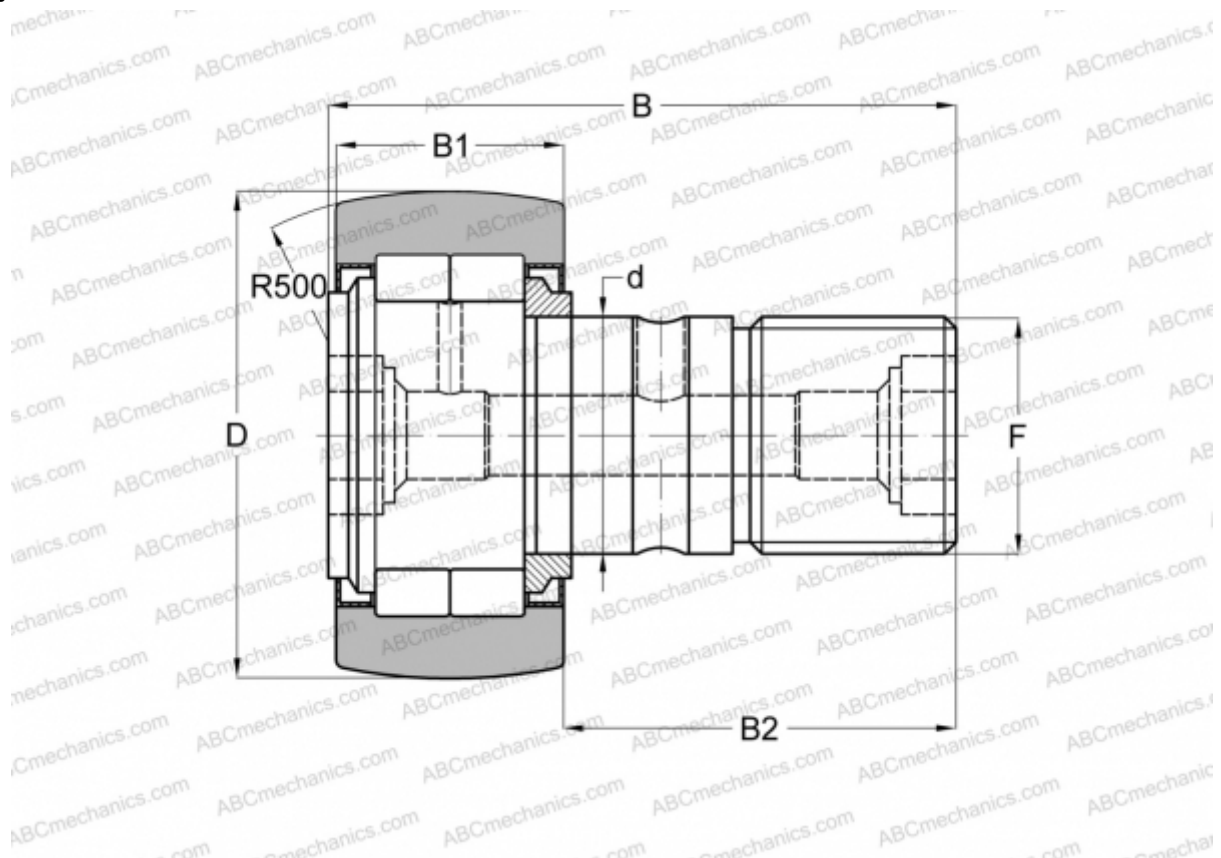


NUCF 12-1 R ABC

Cam followers

TYPE: Roller bearings, Stud type track rollers, With axial guidance, full complement cylindrical roller set, labyrinth seals on both sides



Technical specification

DIMENSIONS, MM

| | |
|----|---------|
| d | 12,000 |
| D | 32,000 |
| B | 40,200 |
| B1 | 14,000 |
| B2 | 25,000 |
| F | M12x1.5 |

MANUFACTURER [ABC](#)

INTERCHANGE

IKO [NUCF 12-1 R](#)