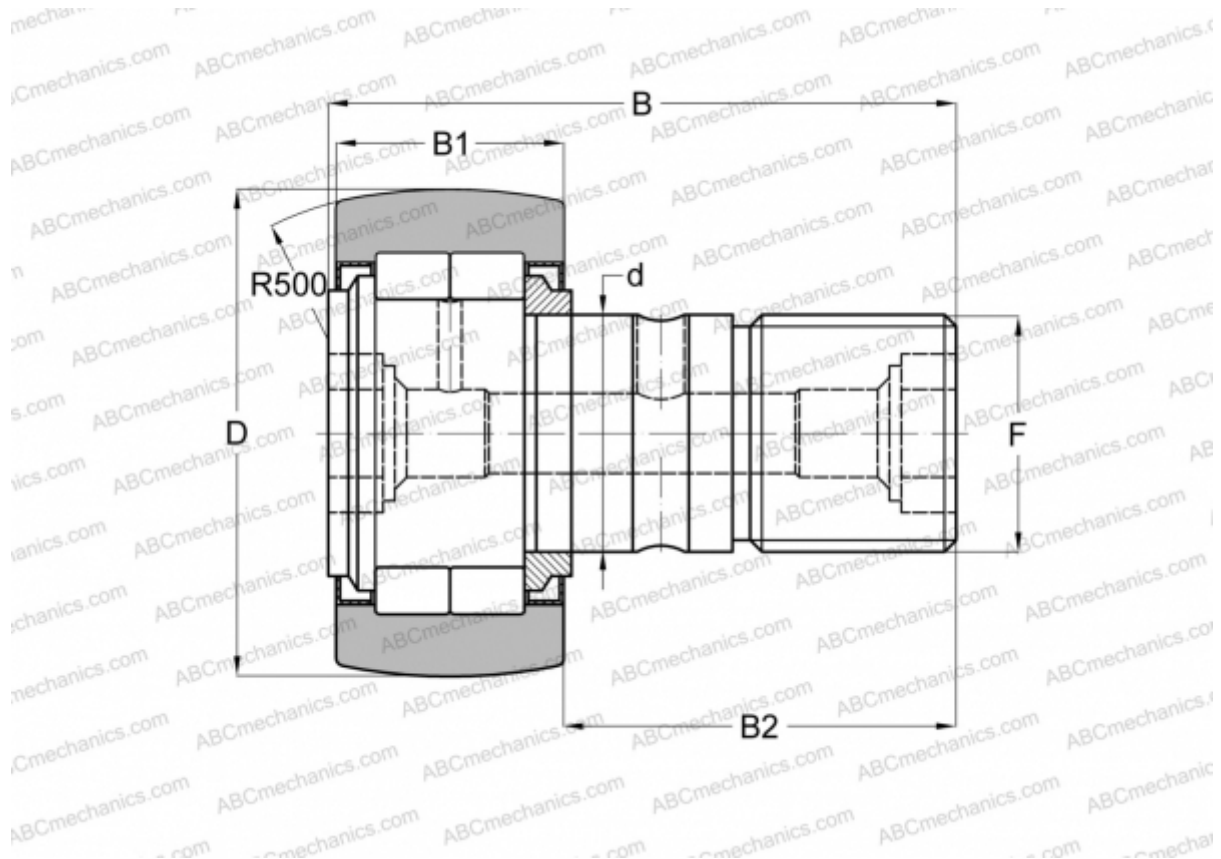


NUKR35 INA

Cam followers

TYPE: Roller bearings, Stud type track rollers, With axial guidance, full complement cylindrical roller set, labyrinth seals on both sides



Technical specification

DIMENSIONS, MM

d	16,000
D	35,000
B	52,000
B1	19,000
B2	32,000
F	M16X1,5

INTERCHANGE

JNS	NUCF16RAB
NTN	NUKR35H

MANUFACTURER

[INA](#)

INTERCHANGE

ABC	NUKR 35
FAG	NUKR 35 C
IKO	NUCF 16 R
McGill	MCFD 35 S
SKF	NUKR 35 A
KOYO	NUKR35 2SK