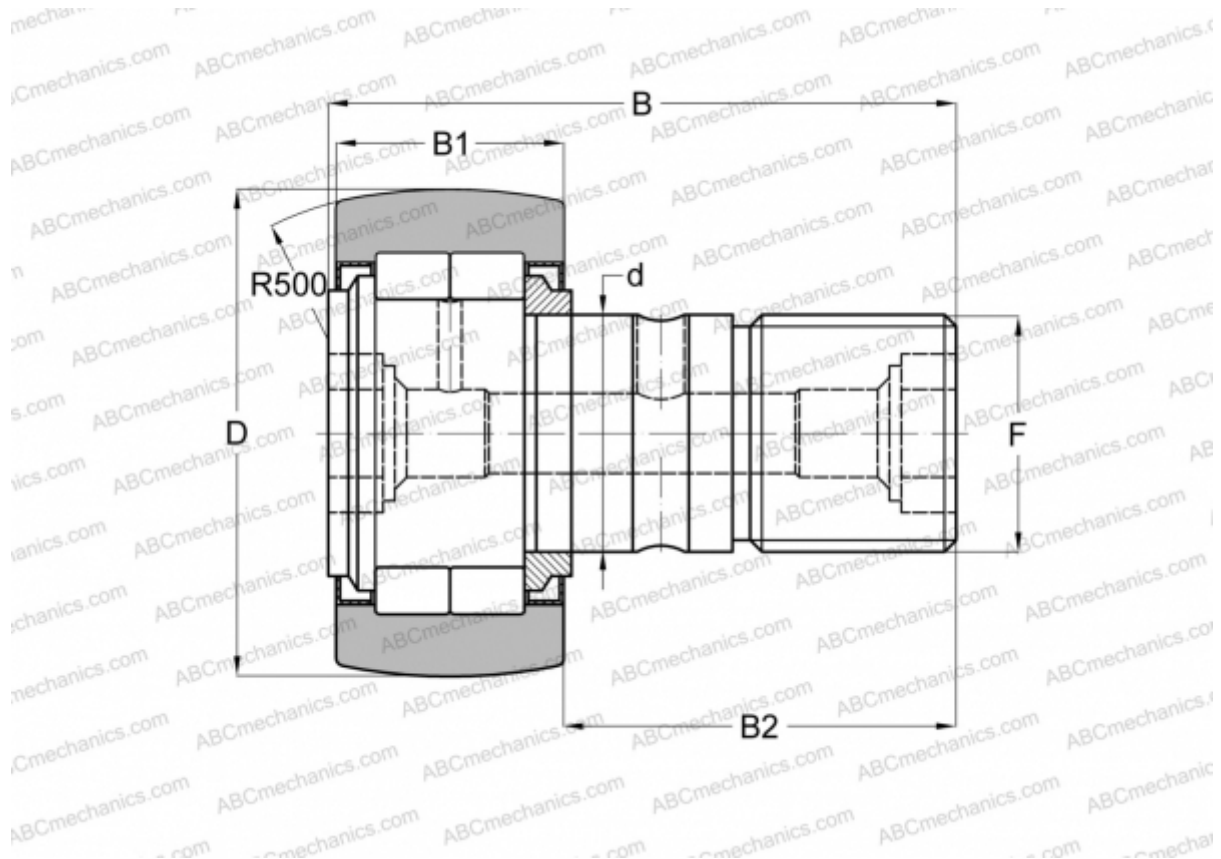


## NUKR35H NTN

Cam followers

TYPE: Roller bearings, Stud type track rollers, With axial guidance, full complement cylindrical roller set, labyrinth seals on both sides



### Technical specification

#### DIMENSIONS, MM

d	16,000
D	35,000
B	52,000
B1	18,000
B2	32,500
F	M16x1.5

#### INTERCHANGE

KOYO	<a href="#">NUKR35 2SK</a>
JNS	<a href="#">NUCF16RAB</a>

#### MANUFACTURER

[NTN](#)

#### INTERCHANGE

ABC	<a href="#">NUKR 35</a>
FAG	<a href="#">NUKR 35 C</a>
INA	<a href="#">NUKR35</a>
IKO	<a href="#">NUCF 16 R</a>
McGill	<a href="#">MCFD 35 S</a>
SKF	<a href="#">NUKR 35 A</a>