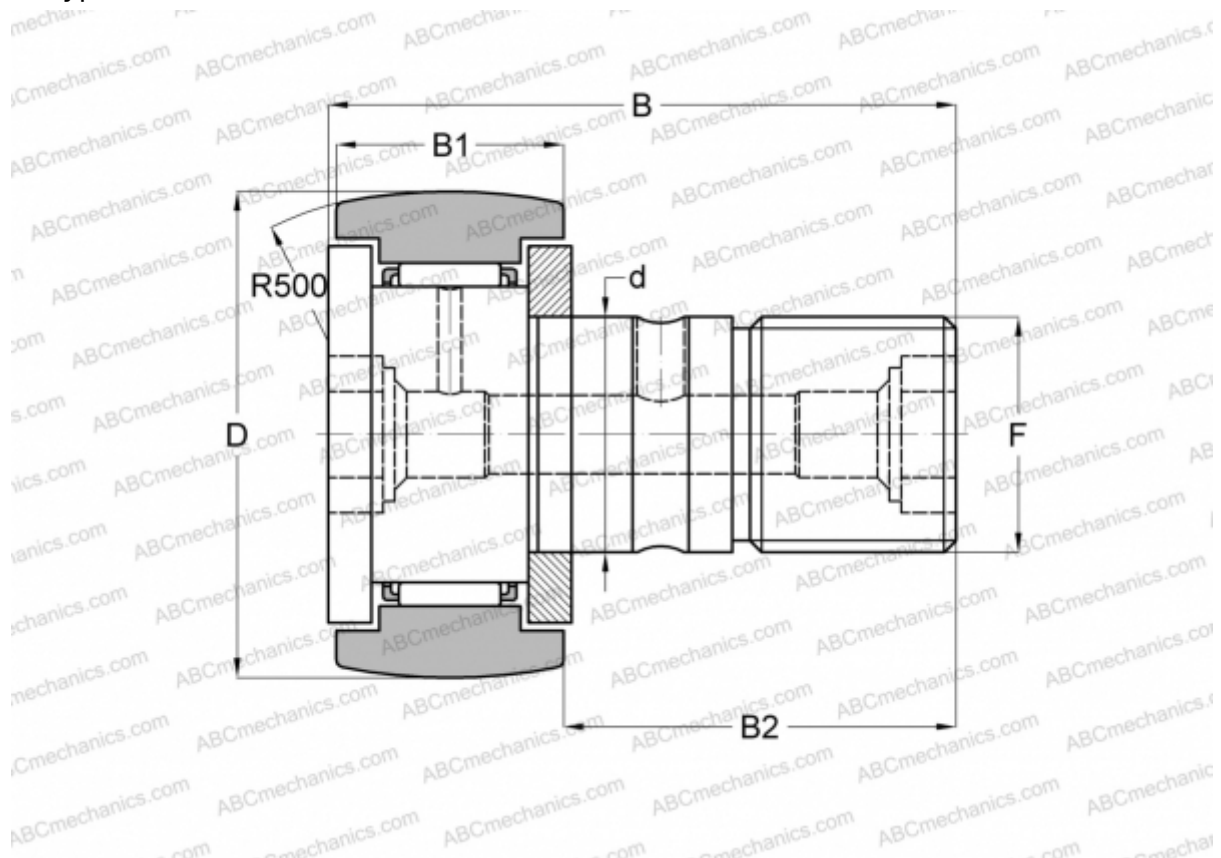


CF-RU1-6 IKO

Cam followers

TYPE: Roller bearings, Stud type track rollers, With axial guidance, gap seals on both side, centralized lubrication type



Technical specification

DIMENSIONS, MM

d	6,000
D	16,000
B	28,200
B1	11,000
B2	16,000
F	M6x1

MANUFACTURER [IKO](#)

INTERCHANGE

ABC	CF-RU1-6
JNS	CFT6UUR
NTN	KRT16LL