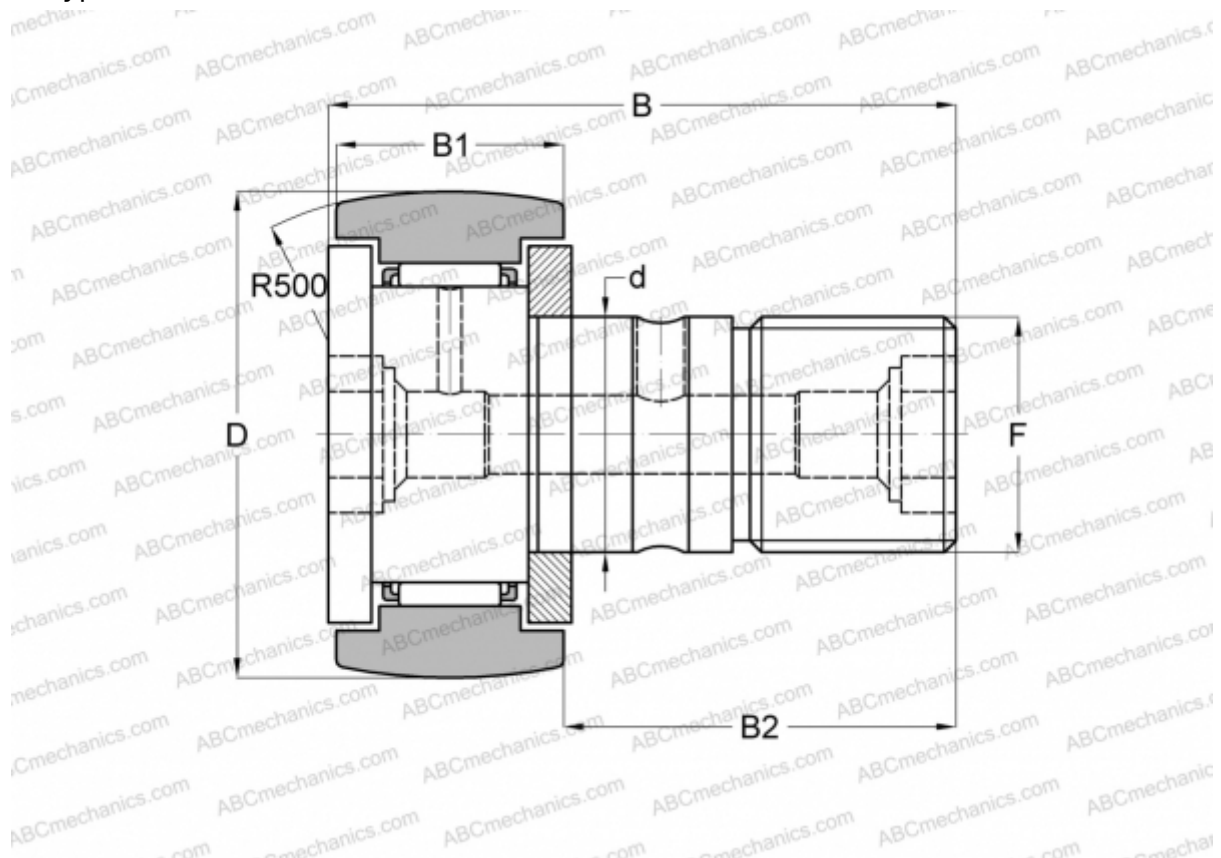


## CF-RU1-10 IKO

Cam followers

TYPE: Roller bearings, Stud type track rollers, With axial guidance, gap seals on both side, centralized lubrication type



### Technical specification

#### DIMENSIONS, MM

d	10,000
D	22,000
B	36,200
B1	12,000
B2	23,000
F	M10x1.25

**MANUFACTURER** [IKO](#)

#### INTERCHANGE

ABC	<a href="#">CF-RU1-10</a>
JNS	<a href="#">CFT10UUR</a>
NTN	<a href="#">KRT22LL</a>