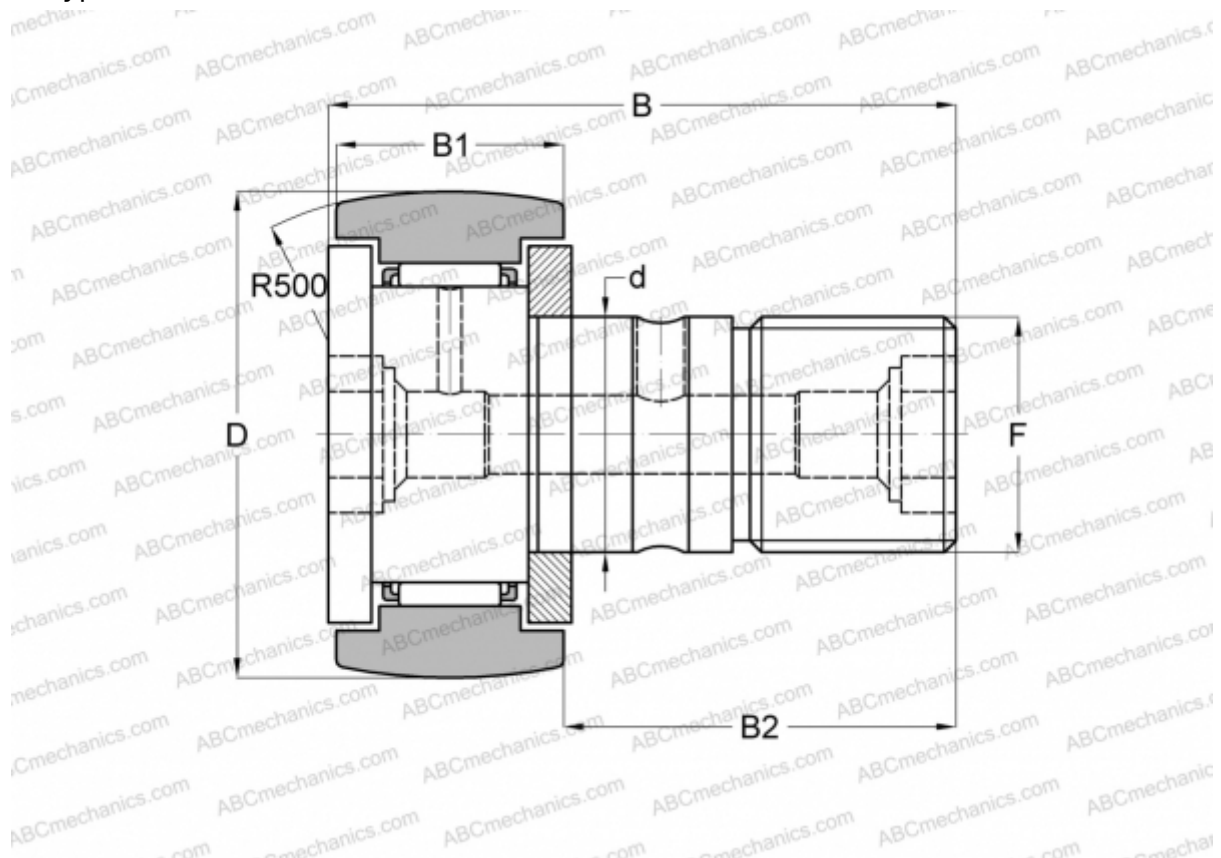


CFT10UUR JNS

Cam followers

TYPE: Roller bearings, Stud type track rollers, With axial guidance, gap seals on both side, centralized lubrication type



Technical specification

DIMENSIONS, MM

d	10,000
D	22,000
B	36,200
B1	12,000
B2	23,000
F	M10x1.25

MANUFACTURER [JNS](#)

INTERCHANGE

ABC	CF-RU1-10
IKO	CF-RU1-10
NTN	KRT22LL