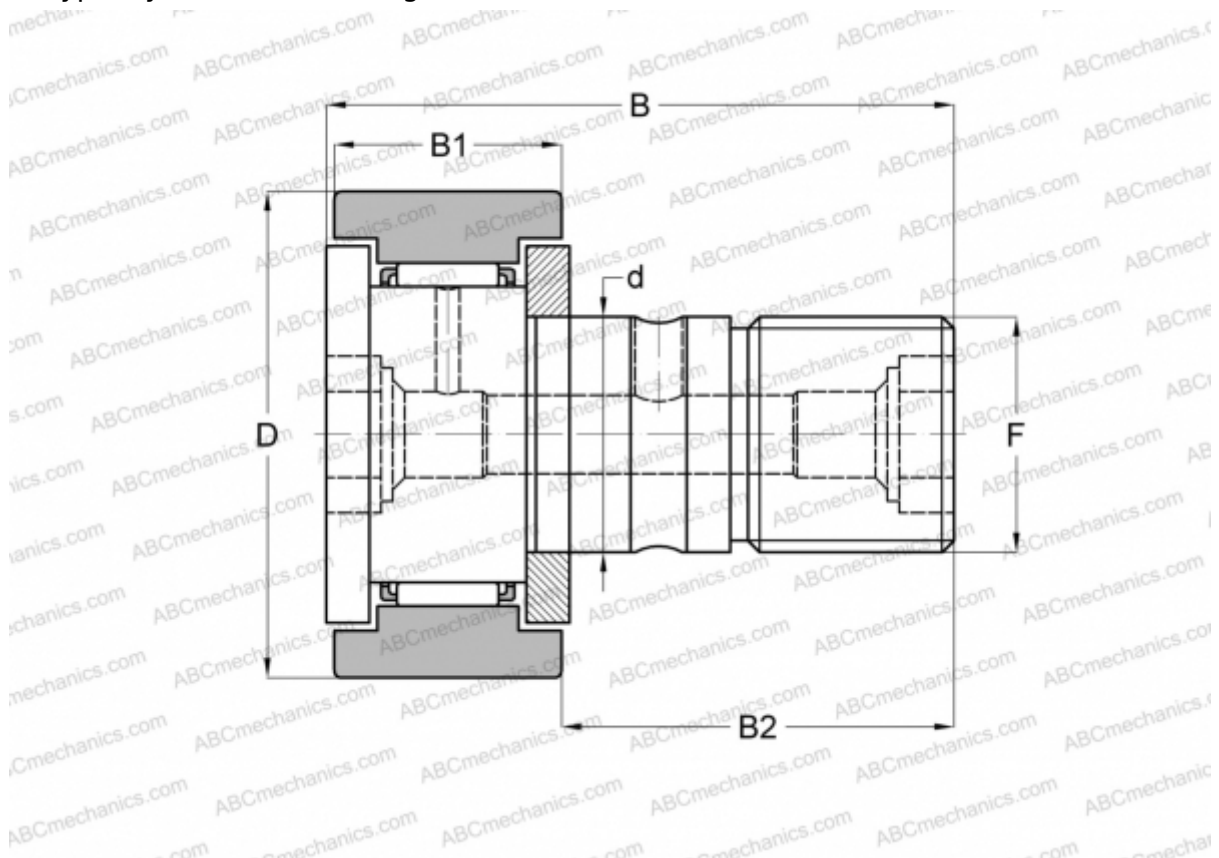


## CF-FU1-6 ABC

Cam followers

TYPE: Roller bearings, Stud type track rollers, With axial guidance, gap seals on both side, centralized lubrication type, cylindrical outer ring



### Technical specification

#### DIMENSIONS, MM

d	6,000
D	16,000
B	28,200
B1	11,000
B2	16,000
F	M6x1

**MANUFACTURER** [ABC](#)

#### INTERCHANGE

IKO	<a href="#">CF-FU1-6</a>
JNS	<a href="#">CFT6UU</a>
NTN	<a href="#">KRT16XLL</a>