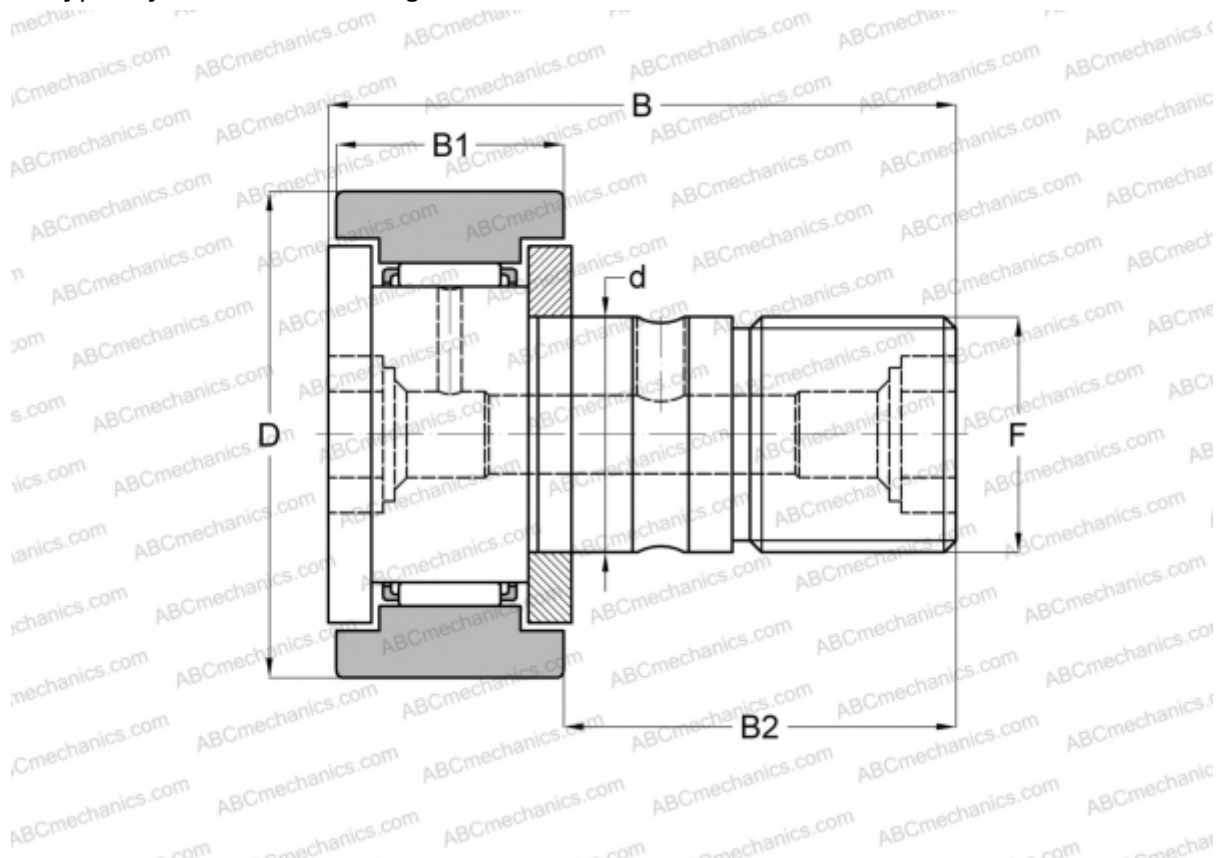


## CF-FU1-10 ABC

Cam followers

TYPE: Roller bearings, Stud type track rollers, With axial guidance, gap seals on both side, centralized lubrication type, cylindrical outer ring



### Technical specification

#### DIMENSIONS, MM

d	10,000
D	22,000
B	36,200
B1	12,000
B2	23,000
F	M10x1.25

**MANUFACTURER** [ABC](#)

#### INTERCHANGE

IKO	<a href="#">CF-FU1-10</a>
JNS	<a href="#">CFT10UU</a>
NTN	<a href="#">KRT22XLL</a>