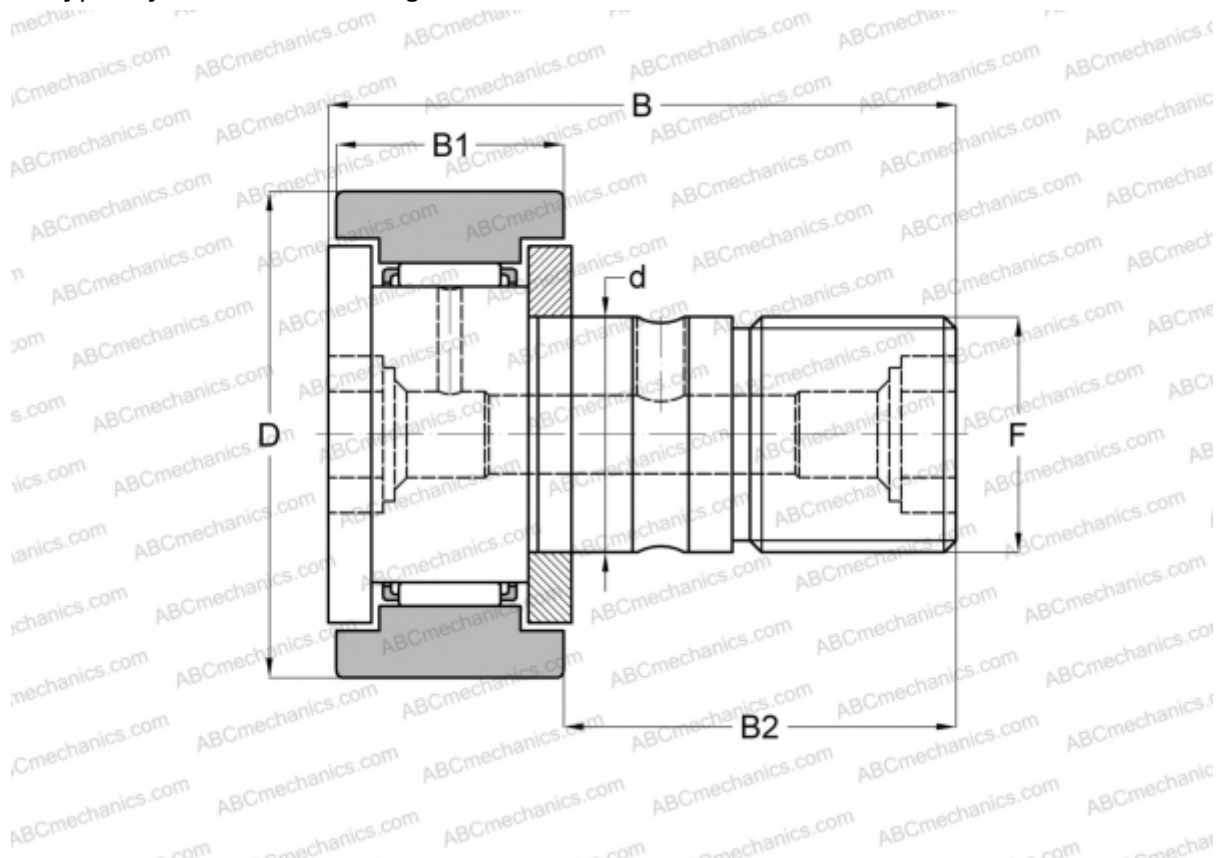


CF-FU1-10 IKO

Cam followers

TYPE: Roller bearings, Stud type track rollers, With axial guidance, gap seals on both side, centralized lubrication type, cylindrical outer ring



Technical specification

DIMENSIONS, MM

d	10,000
D	22,000
B	36,200
B1	12,000
B2	23,000
F	M10x1.25

MANUFACTURER [IKO](#)

INTERCHANGE

ABC	CF-FU1-10
JNS	CFT10UU
NTN	KRT22XLL