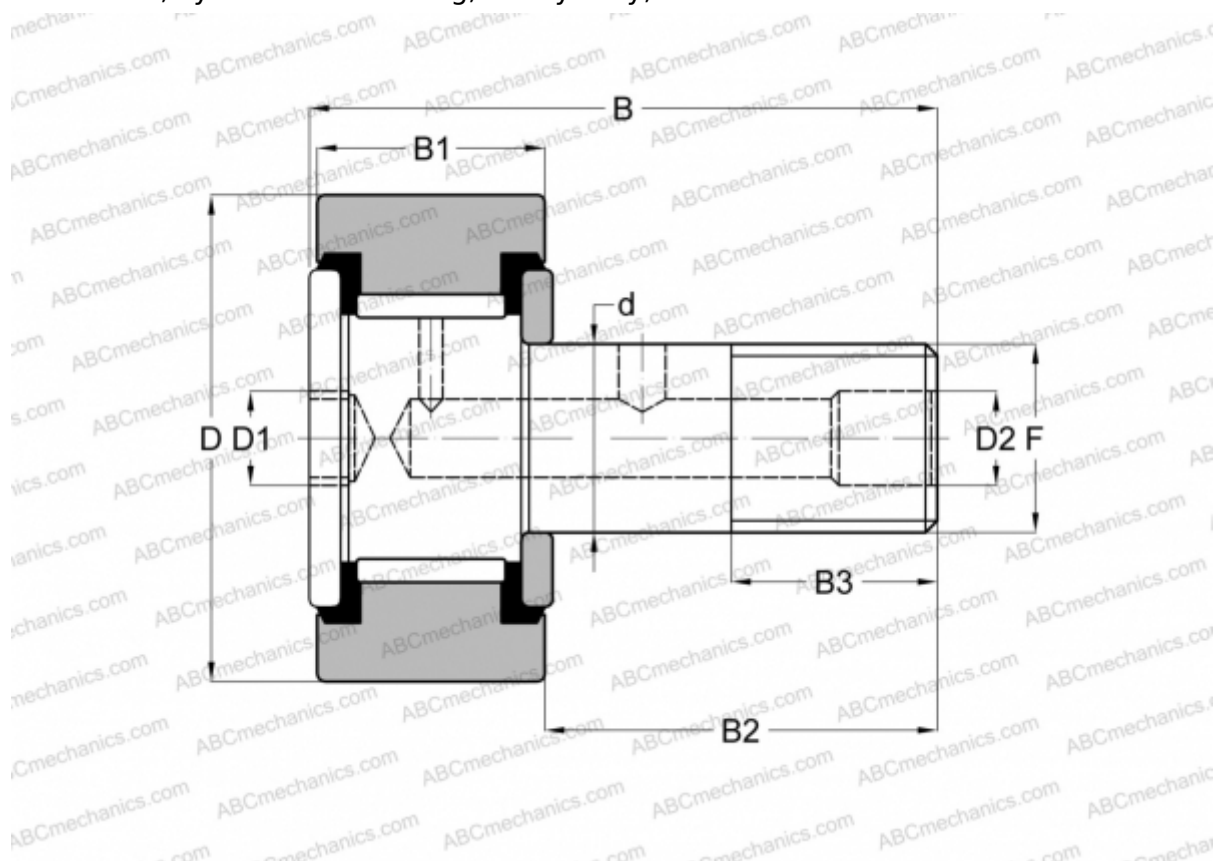


## CFH 9/16 S McGill

Cam followers

TYPE: Roller bearings, Stud type track rollers, With axial guidance, full complement bearing, sealing rings on both sides, cylindrical outer ring, heavy duty, inch size



### Technical specification

#### DIMENSIONS, MM

d	6,350
D	14,288
B	27,050
B1	11,100
B2	15,950
F	1/4-28

**MANUFACTURER** [McGill](#)

#### INTERCHANGE

ABC	<a href="#">CRH 9 VUU</a>
IKO	<a href="#">CRH 9 VUU</a>