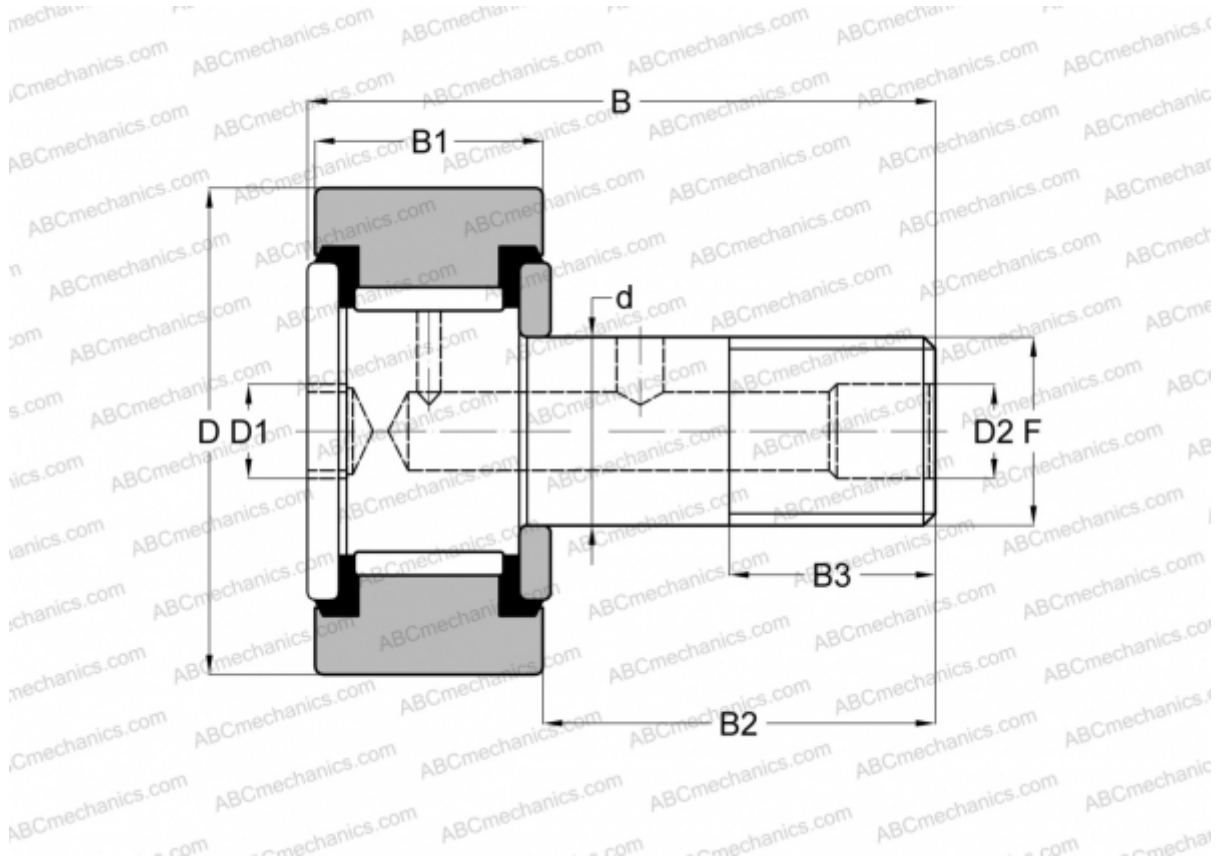


CRH 11 VUU IKO

Cam followers

TYPE: Roller bearings, Stud type track rollers, With axial guidance, full complement bearing, sealing rings on both sides, cylindrical outer ring, heavy duty, inch size



Technical specification

DIMENSIONS, MM

d	7,938
D	17,462
B	31,750
B1	12,800
B2	18,950
F	5/16-24

MANUFACTURER

[IKO](#)

INTERCHANGE

ABC	CRH 11 VUU
McGill	CFH 11/16 S

REPLACES

CRH 11 VBUU