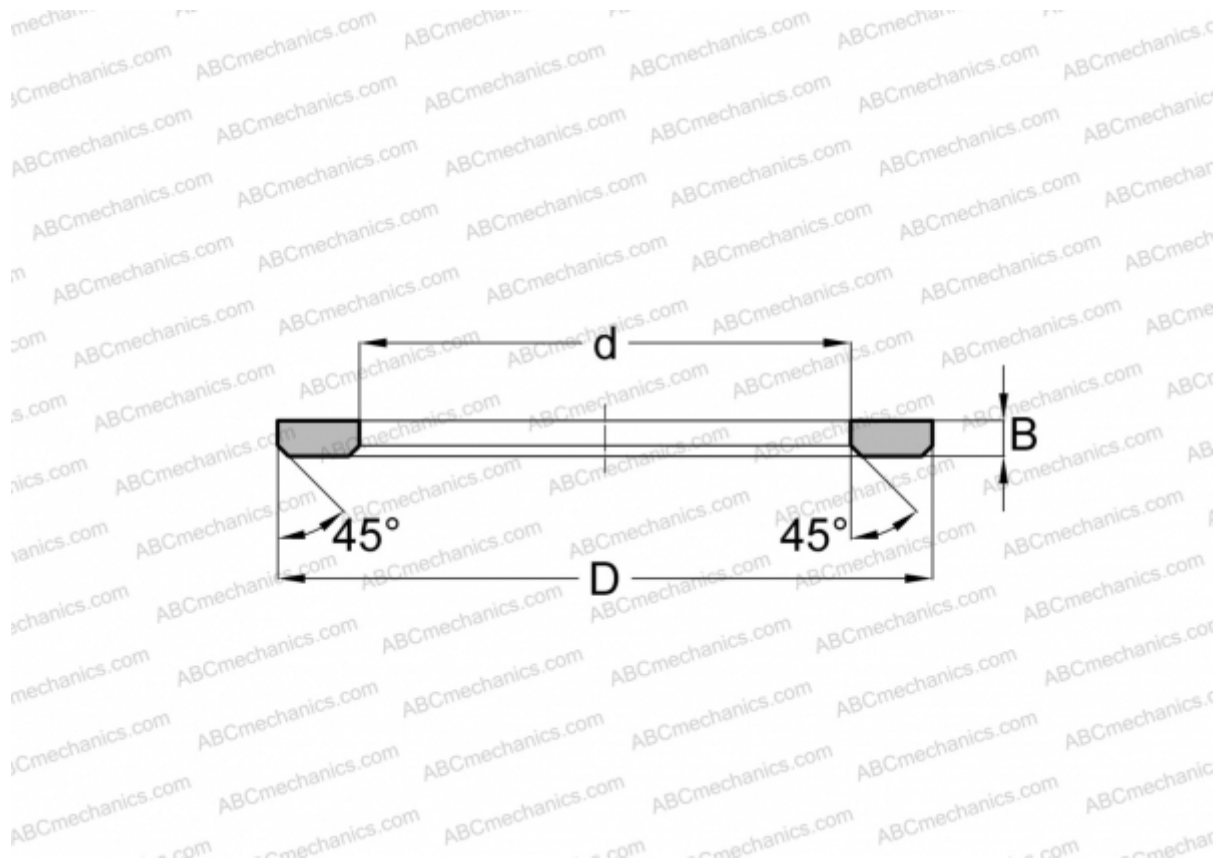


AS0414 SKF

Axial bearing washer

TYPE: Rolling bearing parts and accessories, Rolling elements, Axial bearing washers, Type AS, suitable for AXK AND K811..



Technical specification

DIMENSIONS, MM

d	4,000
D	14,000
B	1,000

MANUFACTURER [SKF](#)

INTERCHANGE

ABC	AS0414
FAG	AS0414
INA	AS0414

REPLACES

XWA102401
