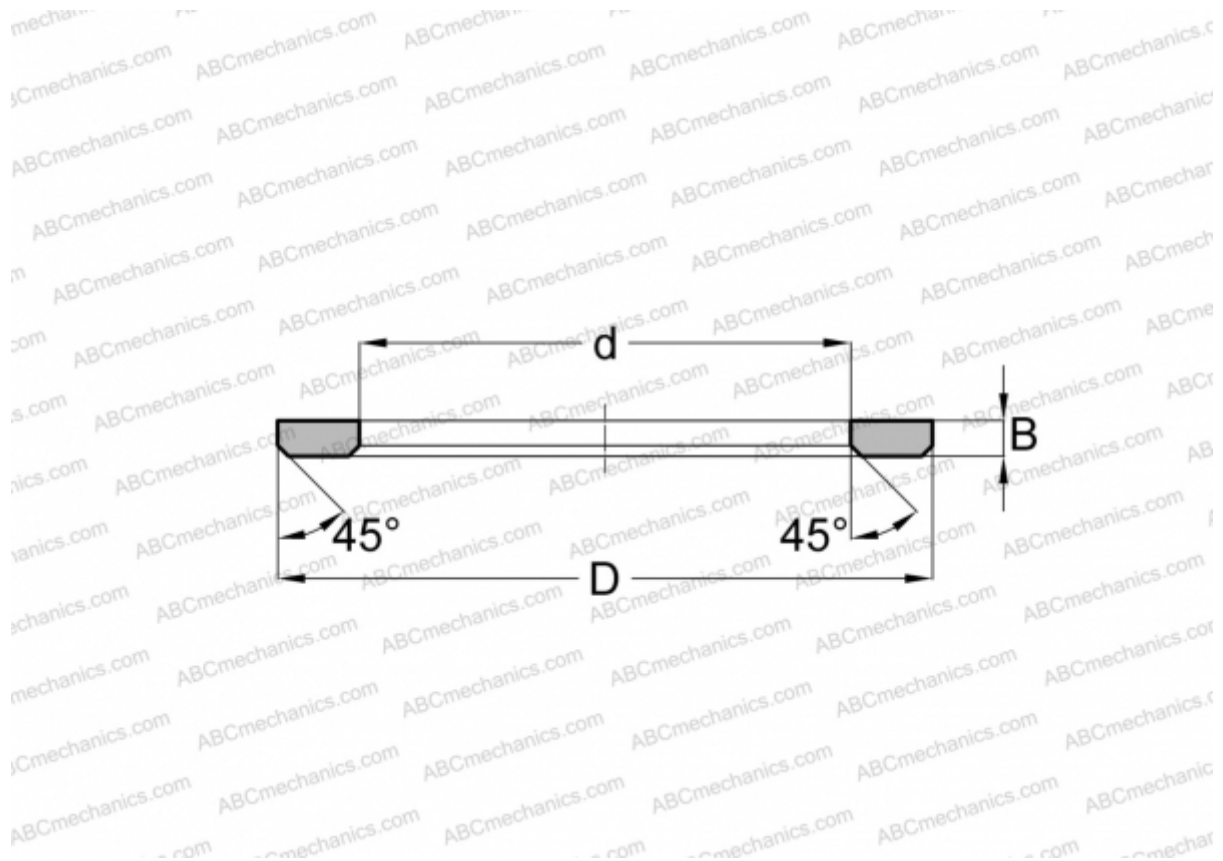


AS0619 SKF

Axial bearing washer

TYPE: Rolling bearing parts and accessories, Rolling elements, Axial bearing washers, Type AS, suitable for AXK AND K811..



Technical specification

DIMENSIONS, MM

d	6,000
D	19,000
B	1,000

MANUFACTURER [SKF](#)

INTERCHANGE

ABC	AS0619
FAG	AS0619
INA	AS0619
KOYO	AS0619

REPLACES

XWA102401
