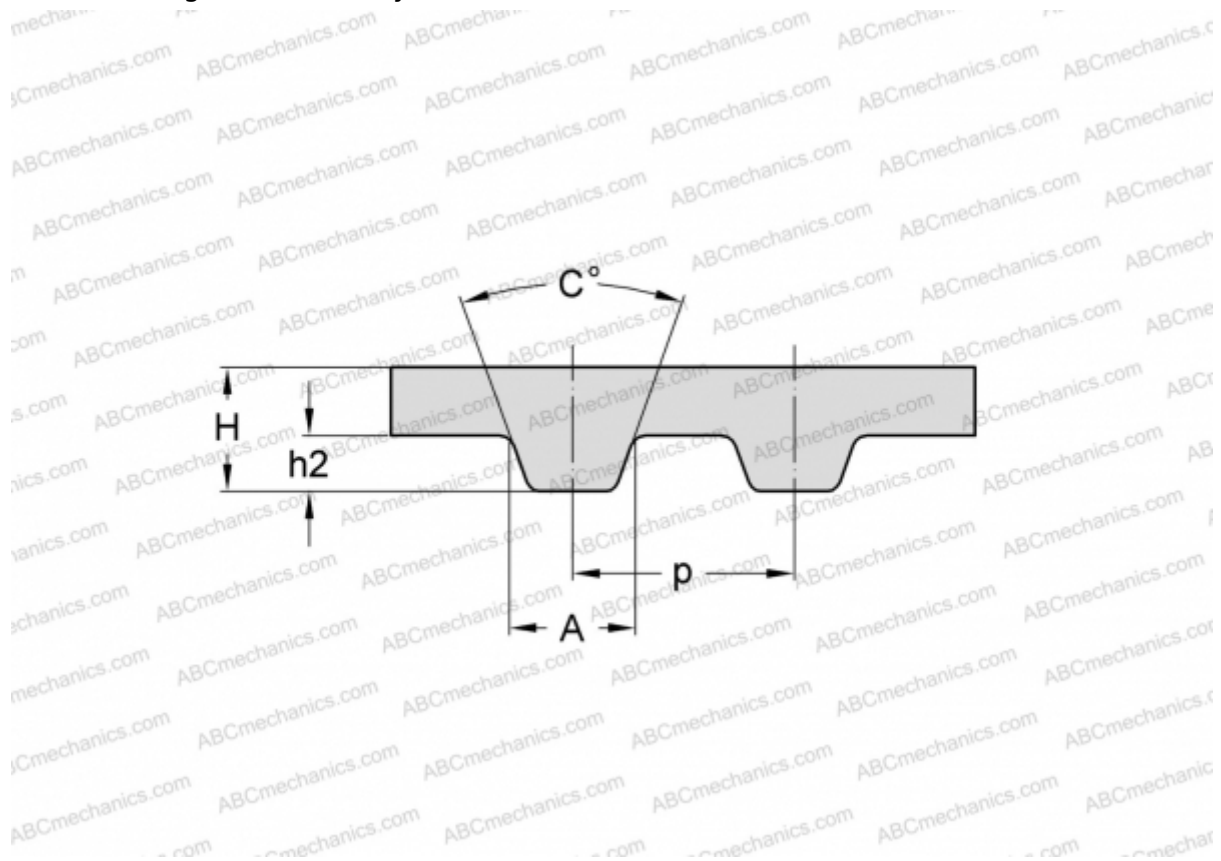


PHG 824-MXL-025 SKF

Classical timing belt

TYPE: Classical timing belts, Oneway, Classical, Section MXL (SKF)



Technical specification

DIMENSIONS, MM

Pitch teeth, p	2,032
Estimated length	209,300
Width, W	6,350
Height, H	1,140
C	40,000
h2	0,510
A	1,140
Number of teeth	103

MANUFACTURER

[SKF](#)