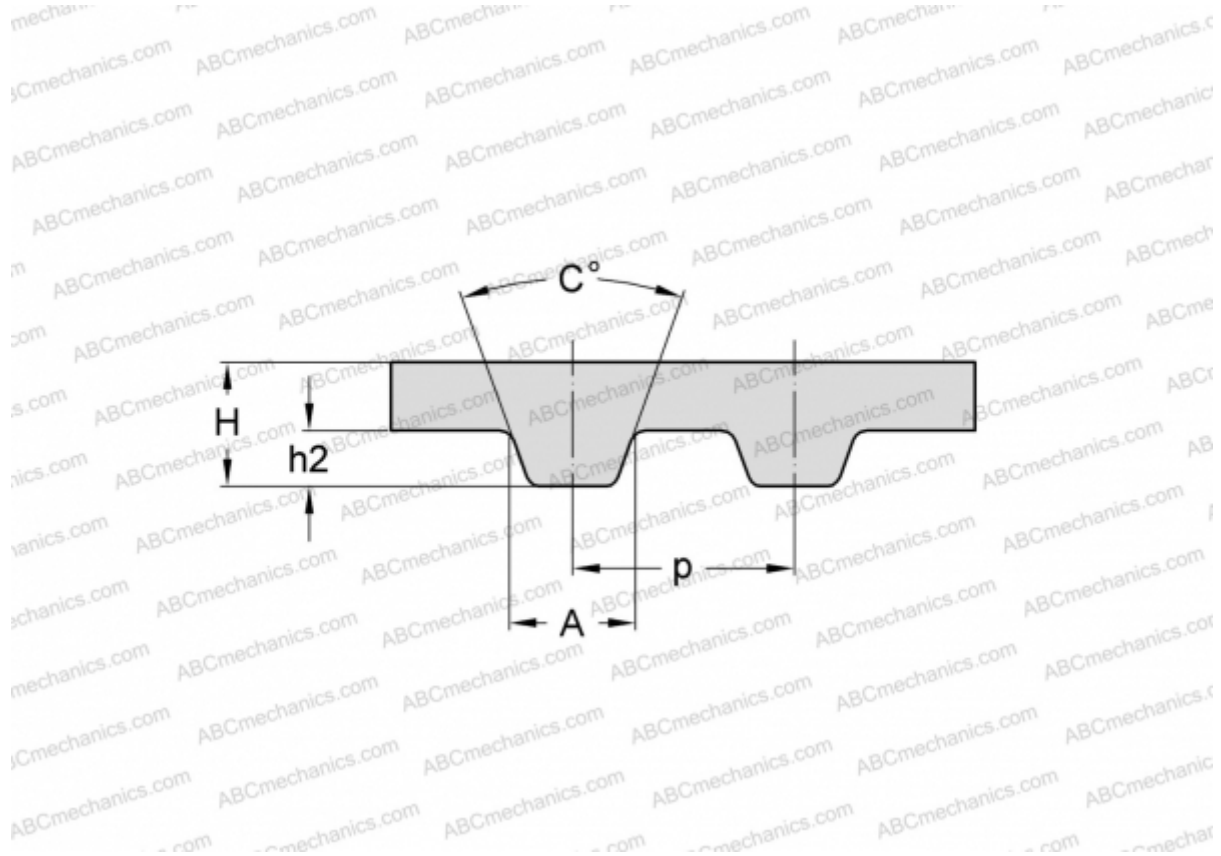


PHG 1560-MXL-031 SKF

Classical timing belt

TYPE: Classical timing belts, Oneway, Classical, Section MXL (SKF)



Technical specification

DIMENSIONS, MM

| | |
|------------------|---------|
| Pitch teeth, p | 2,032 |
| Estimated length | 396,240 |
| Width, W | 7,874 |
| Height, H | 1,140 |
| C | 40,000 |
| h2 | 0,510 |
| A | 1,140 |
| Number of teeth | 195 |

MANUFACTURER [SKF](#)