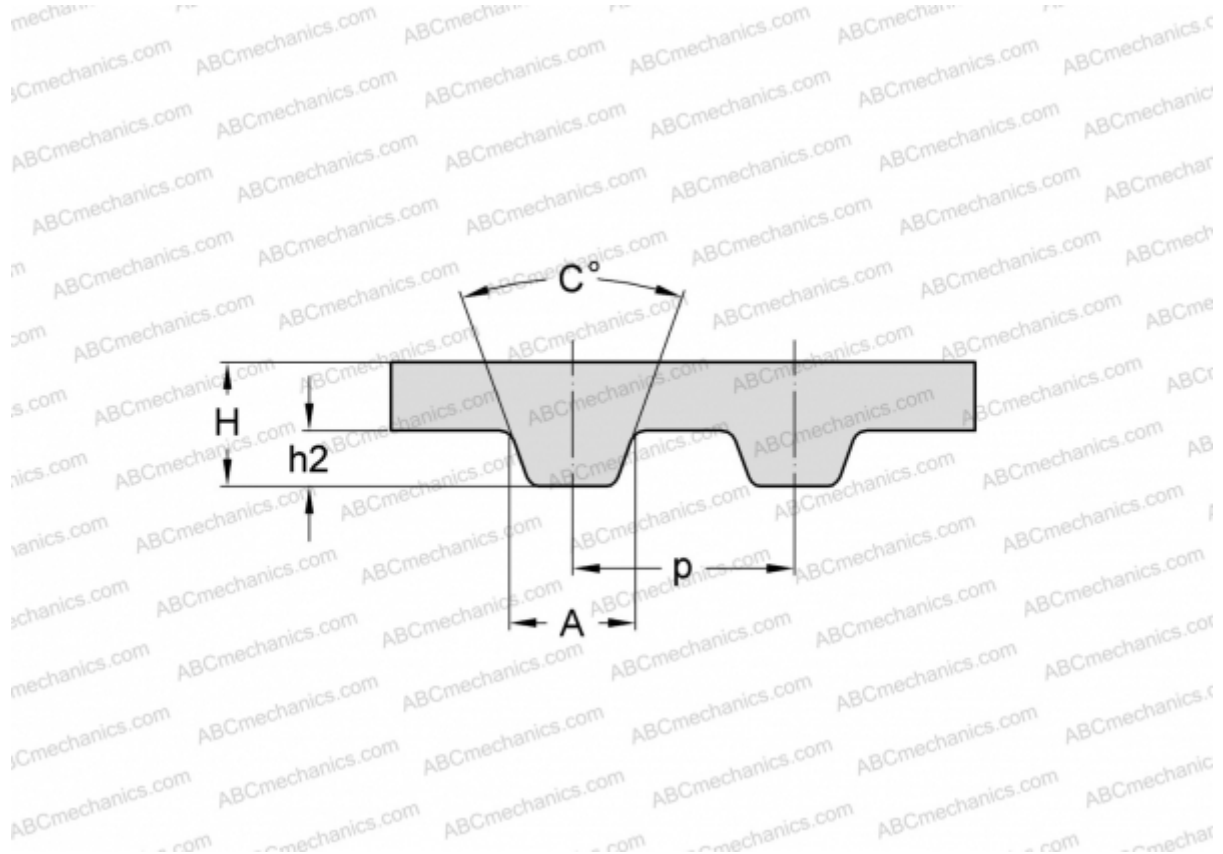


## PHG 11412-MXL-031 SKF

Classical timing belt

TYPE: Classical timing belts, Oneway, Classical, Section MXL (SKF)



### Technical specification

#### DIMENSIONS, MM

Pitch teeth, p	2,032
Estimated length	2898,650
Width, W	7,874
Height, H	1,140
C	40,000
h2	0,510
A	1,140
Number of teeth	1426

#### MANUFACTURER

[SKF](#)