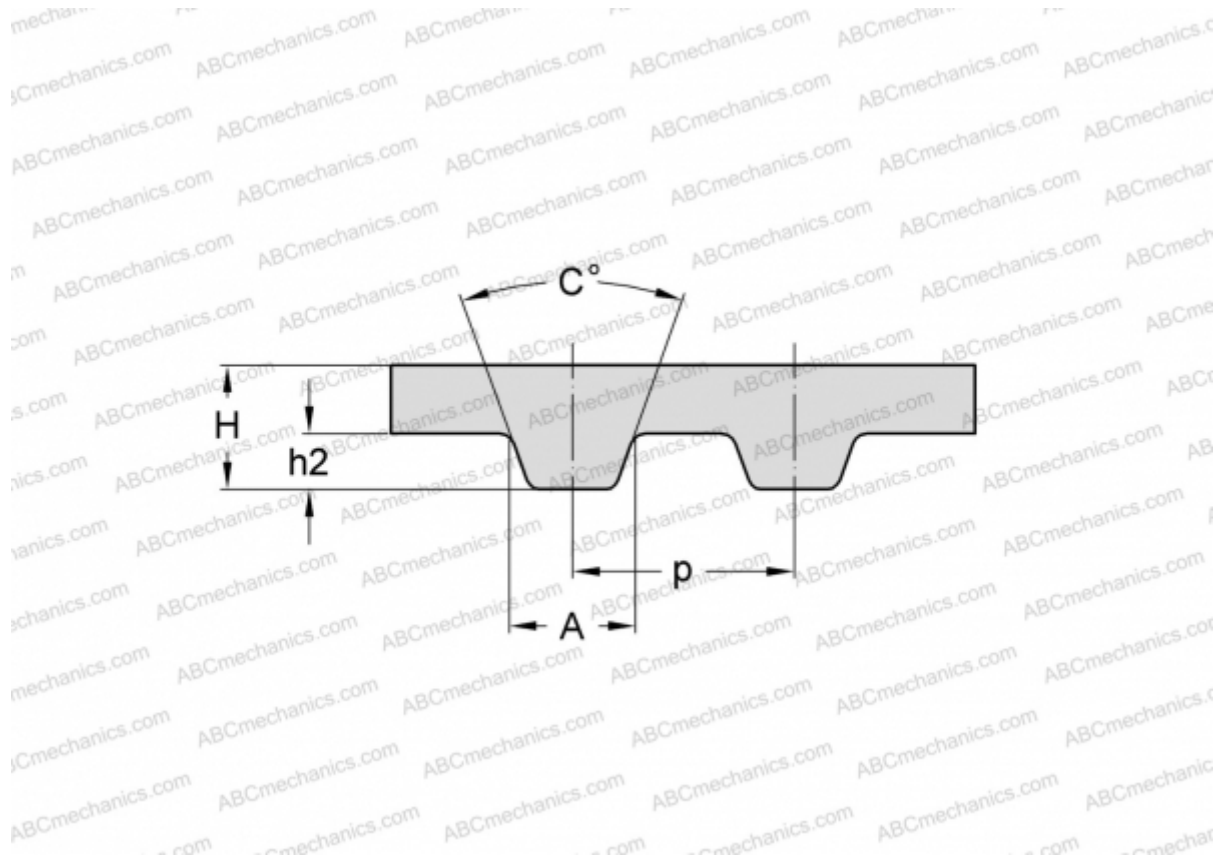


## PHG 112-XL-031 SKF

Classical timing belt

TYPE: Classical timing belts, Oneway, Classical, Section XL (SKF)



### Technical specification

#### DIMENSIONS, MM

|                  |         |
|------------------|---------|
| Pitch teeth, p   | 5,080   |
| Estimated length | 284,480 |
| Width, W         | 7,874   |
| Height, H        | 2,300   |
| C                | 50,000  |
| h2               | 1,270   |
| A                | 2,570   |
| Number of teeth  | 56      |

**MANUFACTURER** [SKF](#)