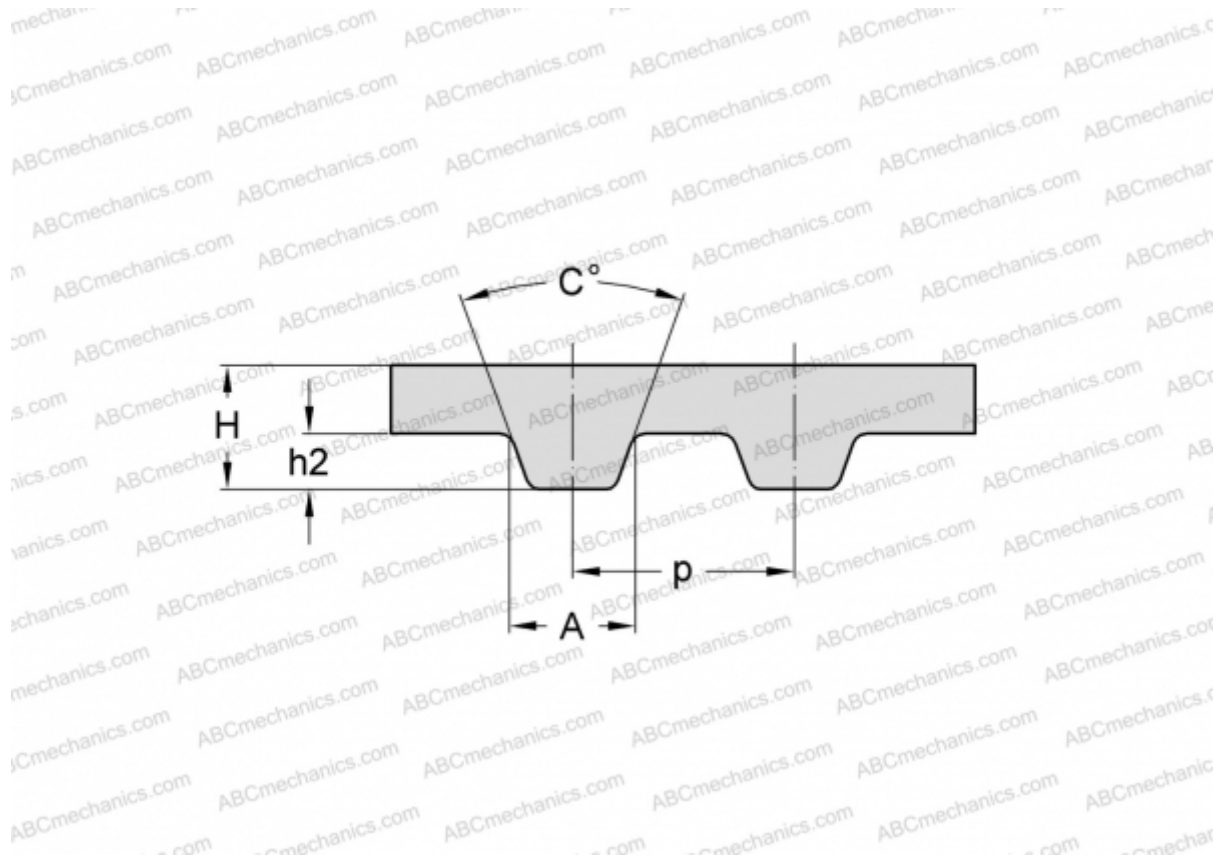


PHG 116-XL-037 SKF

Classical timing belt

TYPE: Classical timing belts, Oneway, Classical, Section XL (SKF)



Technical specification

DIMENSIONS, MM

| | |
|------------------|---------|
| Pitch teeth, p | 5,080 |
| Estimated length | 294,640 |
| Width, W | 9,398 |
| Height, H | 2,300 |
| C | 50,000 |
| h2 | 1,270 |
| A | 2,570 |
| Number of teeth | 58 |

MANUFACTURER

[SKF](#)