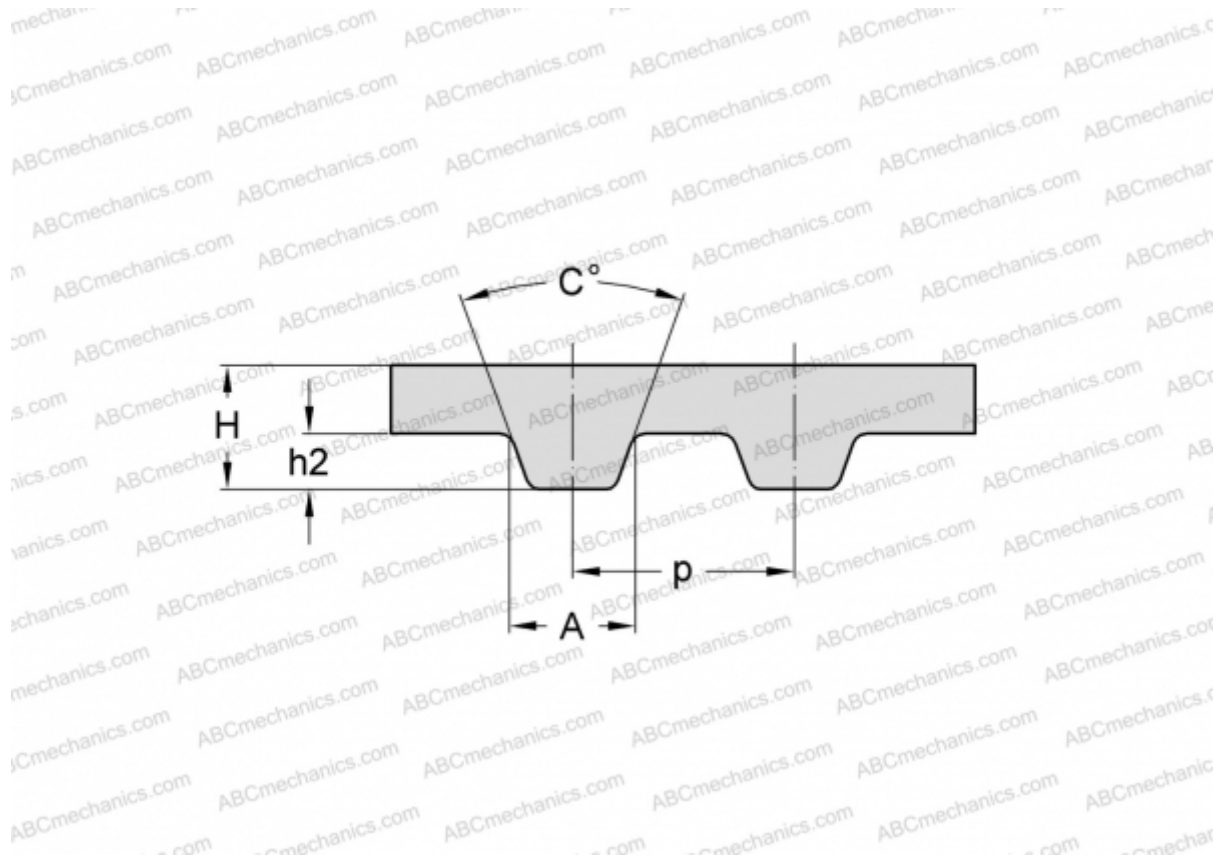


## PHG 432-XL-031 SKF

Classical timing belt

TYPE: Classical timing belts, Oneway, Classical, Section XL (SKF)



### Technical specification

#### DIMENSIONS, MM

|                  |          |
|------------------|----------|
| Pitch teeth, p   | 5,080    |
| Estimated length | 1097,280 |
| Width, W         | 7,874    |
| Height, H        | 2,300    |
| C                | 50,000   |
| h2               | 1,270    |
| A                | 2,570    |
| Number of teeth  | 216      |

**MANUFACTURER** [SKF](#)