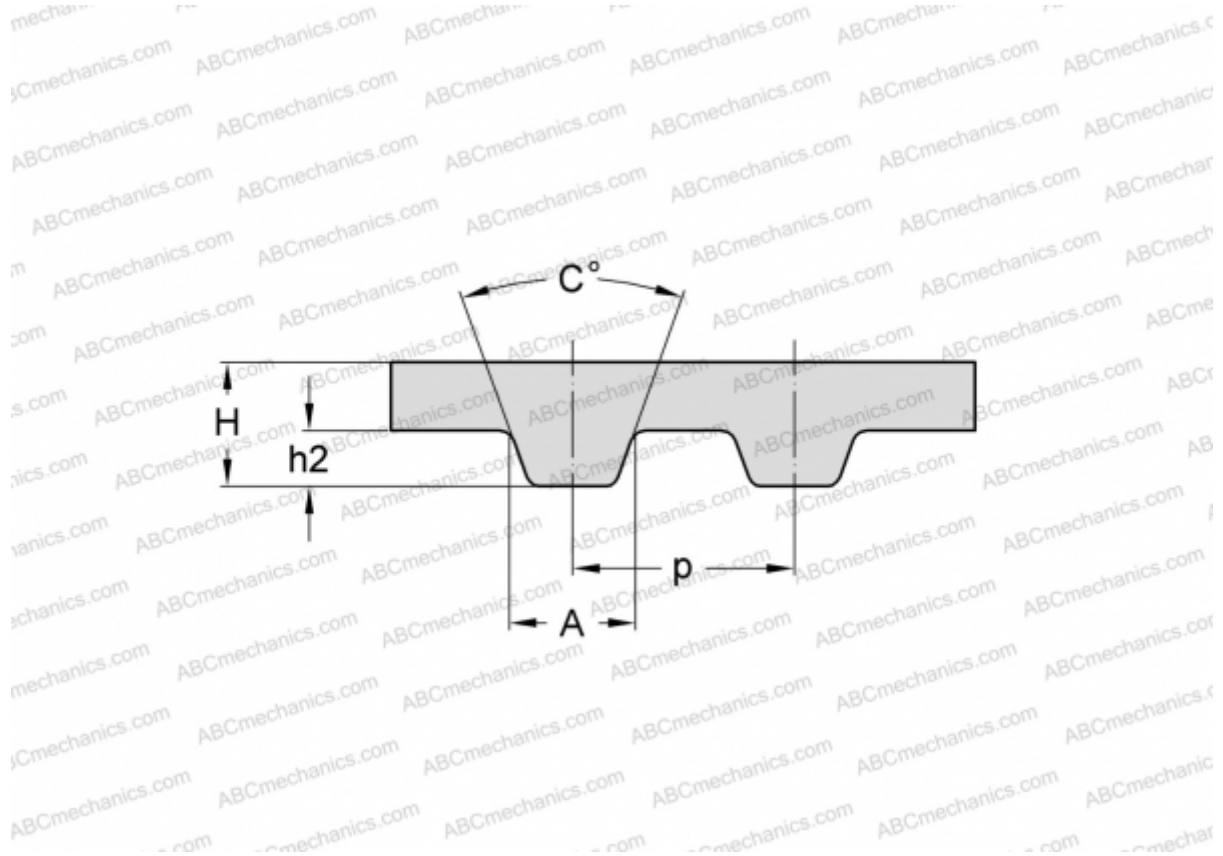


## PHG 158-L-075 SKF

Classical timing belt

TYPE: Classical timing belts, Oneway, Classical, Section L (SKF)



### Technical specification

#### DIMENSIONS, MM

Pitch teeth, $p$	9,525
Estimated length	400,050
Width, $W$	19,050
Height, $H$	3,600
$C$	40,000
$h_2$	1,910
$A$	4,650
Number of teeth	42

#### MANUFACTURER

[SKF](#)