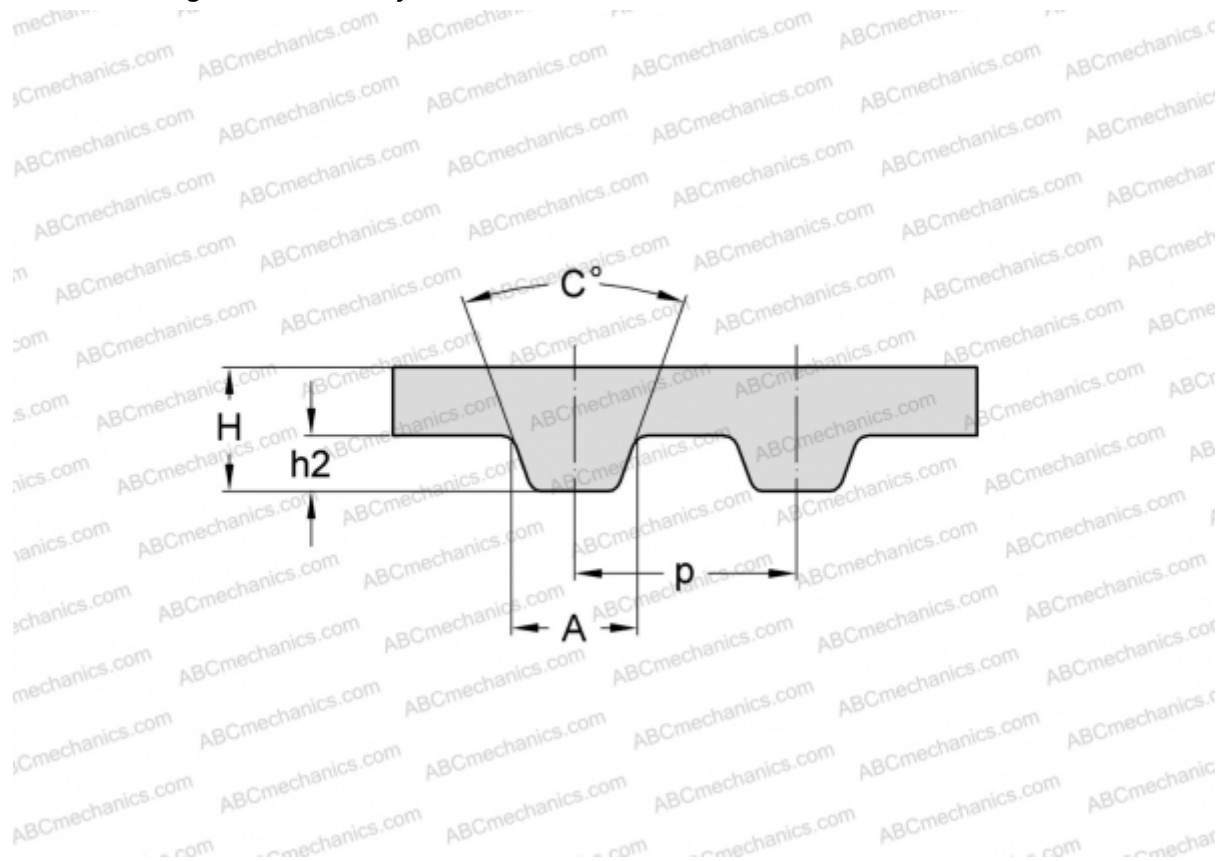


## PHG 236-L-075 SKF

Classical timing belt

TYPE: Classical timing belts, Oneway, Classical, Section L (SKF)



### Technical specification

#### DIMENSIONS, MM

|                  |         |
|------------------|---------|
| Pitch teeth, p   | 9,525   |
| Estimated length | 599,440 |
| Width, W         | 19,050  |
| Height, H        | 3,600   |
| C                | 40,000  |
| h2               | 1,910   |
| A                | 4,650   |
| Number of teeth  | 63      |

#### MANUFACTURER

[SKF](#)