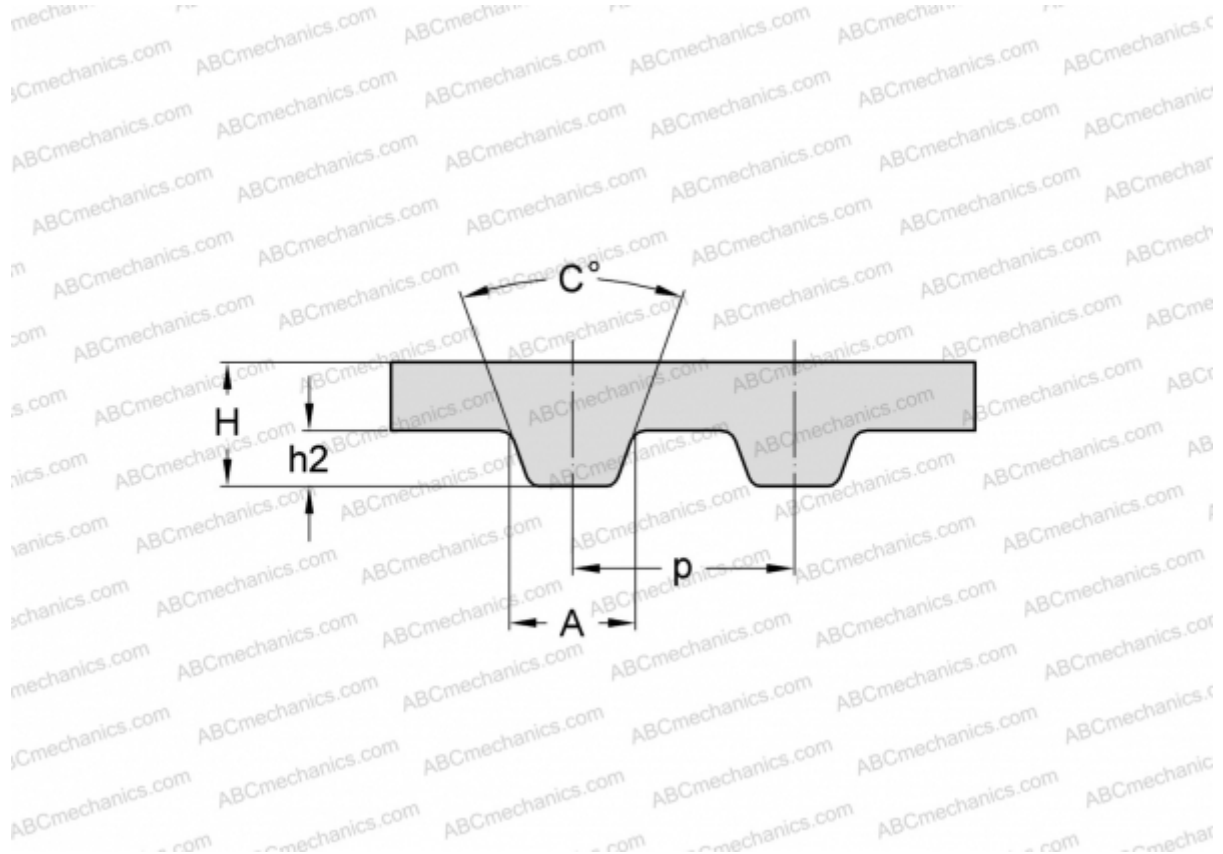


PHG 442-L-050 SKF

Classical timing belt

TYPE: Classical timing belts, Oneway, Classical, Section L (SKF)



Technical specification

DIMENSIONS, MM

| | |
|------------------|----------|
| Pitch teeth, p | 9,525 |
| Estimated length | 1122,680 |
| Width, W | 12,700 |
| Height, H | 3,600 |
| C | 40,000 |
| h2 | 1,910 |
| A | 4,650 |
| Number of teeth | 119 |

MANUFACTURER [SKF](#)