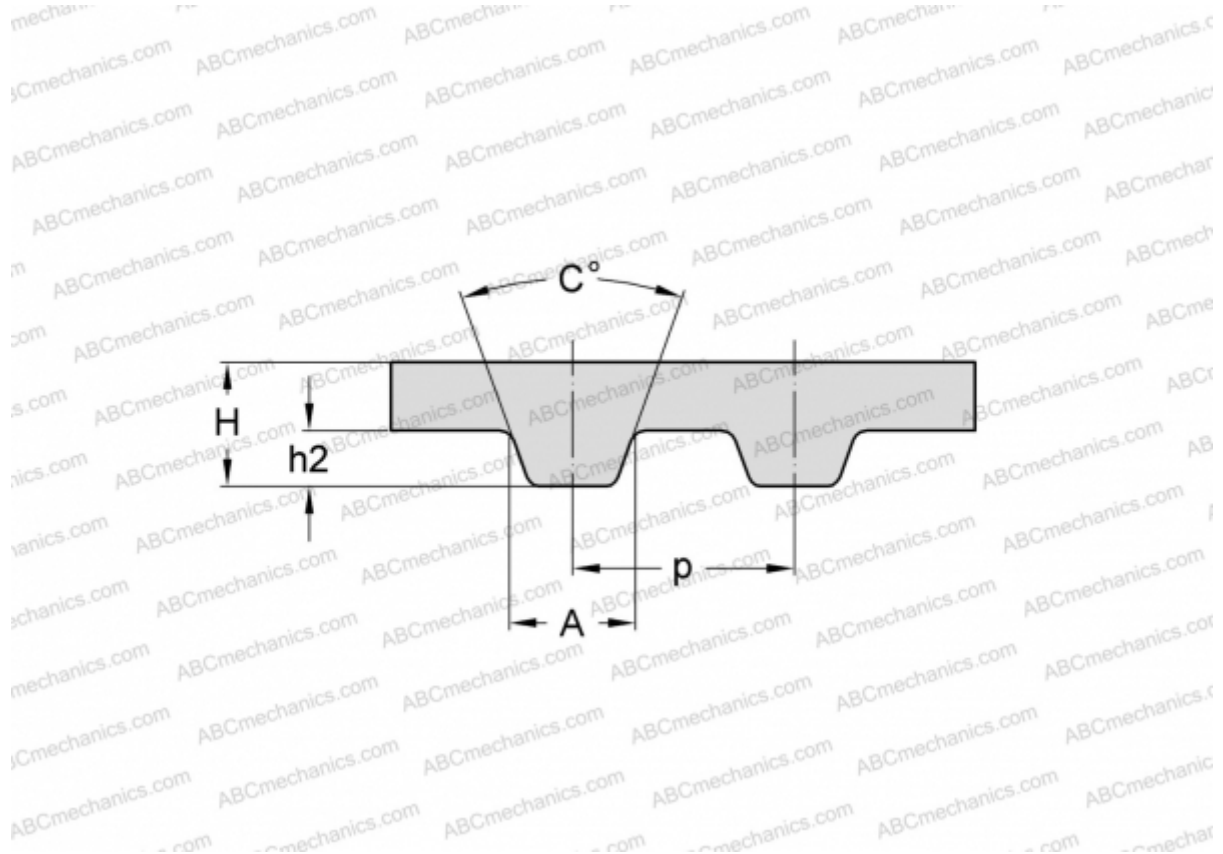


## PHG 1030-H-100 SKF

Classical timing belt

TYPE: Classical timing belts, Oneway, Classical, Section H (SKF)



### Technical specification

#### DIMENSIONS, MM

Pitch teeth, $p$	12,700
Estimated length	2616,200
Width, $W$	25,400
Height, $H$	4,300
$C$	40,000
$h_2$	2,290
$A$	6,120
Number of teeth	206

#### MANUFACTURER

[SKF](#)