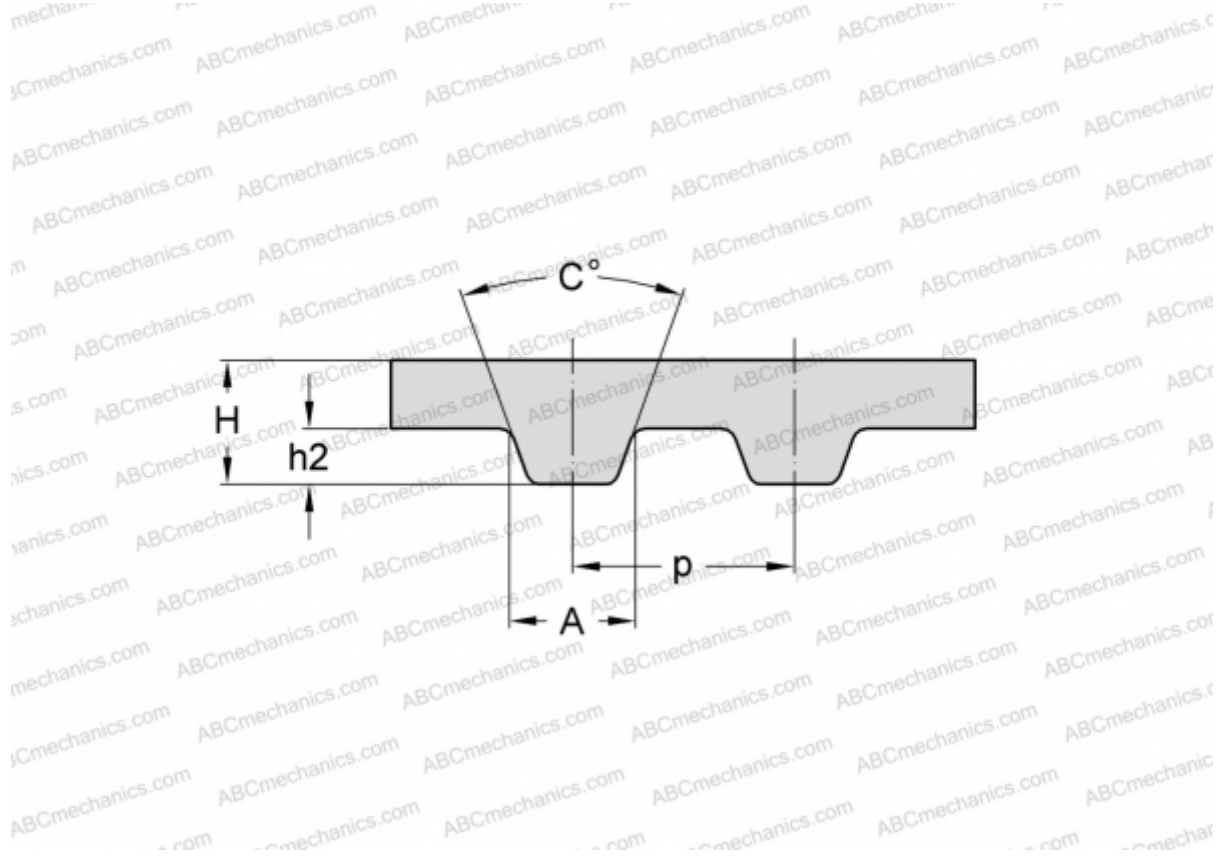


PHG 1140-H-075 SKF

Classical timing belt

TYPE: Classical timing belts, Oneway, Classical, Section H (SKF)



Technical specification

DIMENSIONS, MM

| | |
|------------------|----------|
| Pitch teeth, p | 12,700 |
| Estimated length | 2895,600 |
| Width, W | 19,050 |
| Height, H | 4,300 |
| C | 40,000 |
| h2 | 2,290 |
| A | 6,120 |
| Number of teeth | 228 |

MANUFACTURER

[SKF](#)