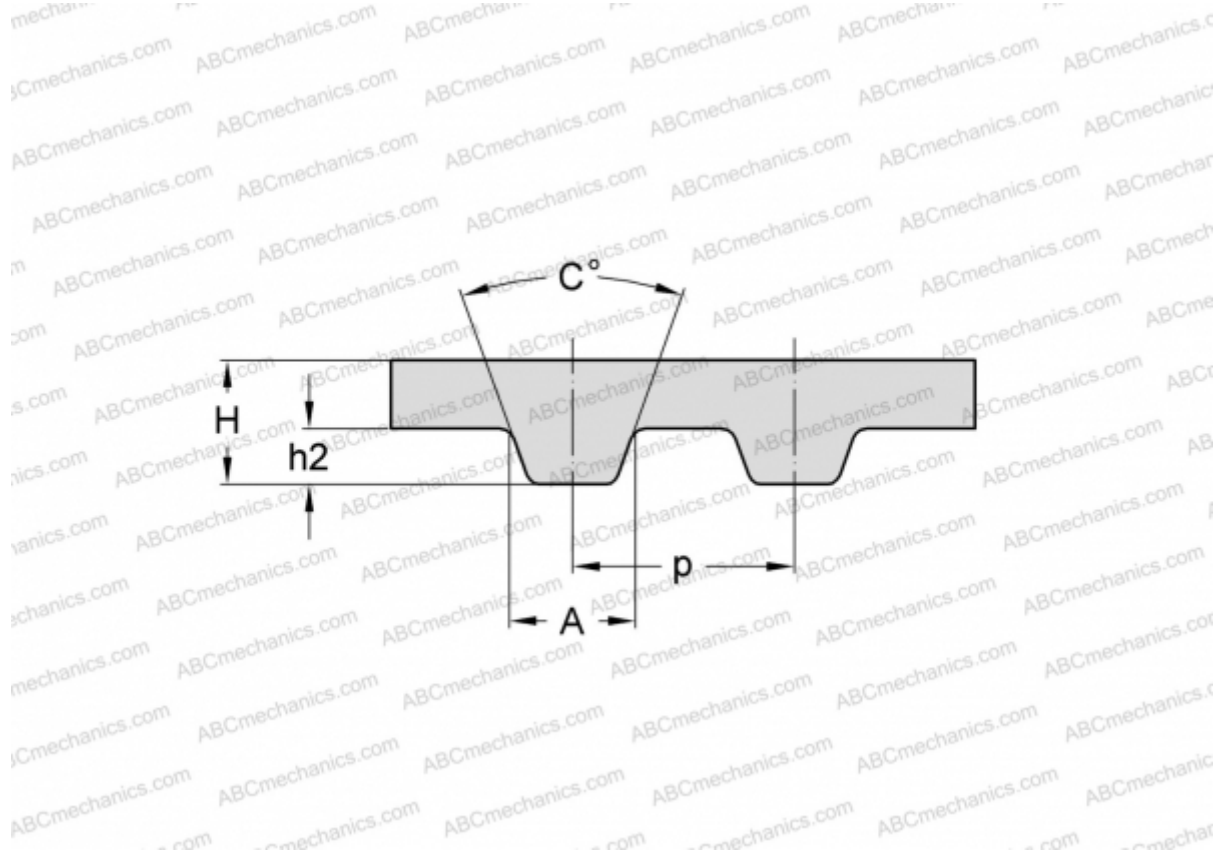


## PHG 1563-XXH-200 SKF

Classical timing belt

TYPE: Classical timing belts, Oneway, Classical, Section XXH (SKF)



### Technical specification

#### DIMENSIONS, MM

Pitch teeth, $p$	31,750
Estimated length	3968,750
Width, $W$	50,800
Height, $H$	15,700
$C$	40,000
$h_2$	9,530
$A$	19,050
Number of teeth	125

#### MANUFACTURER

[SKF](#)