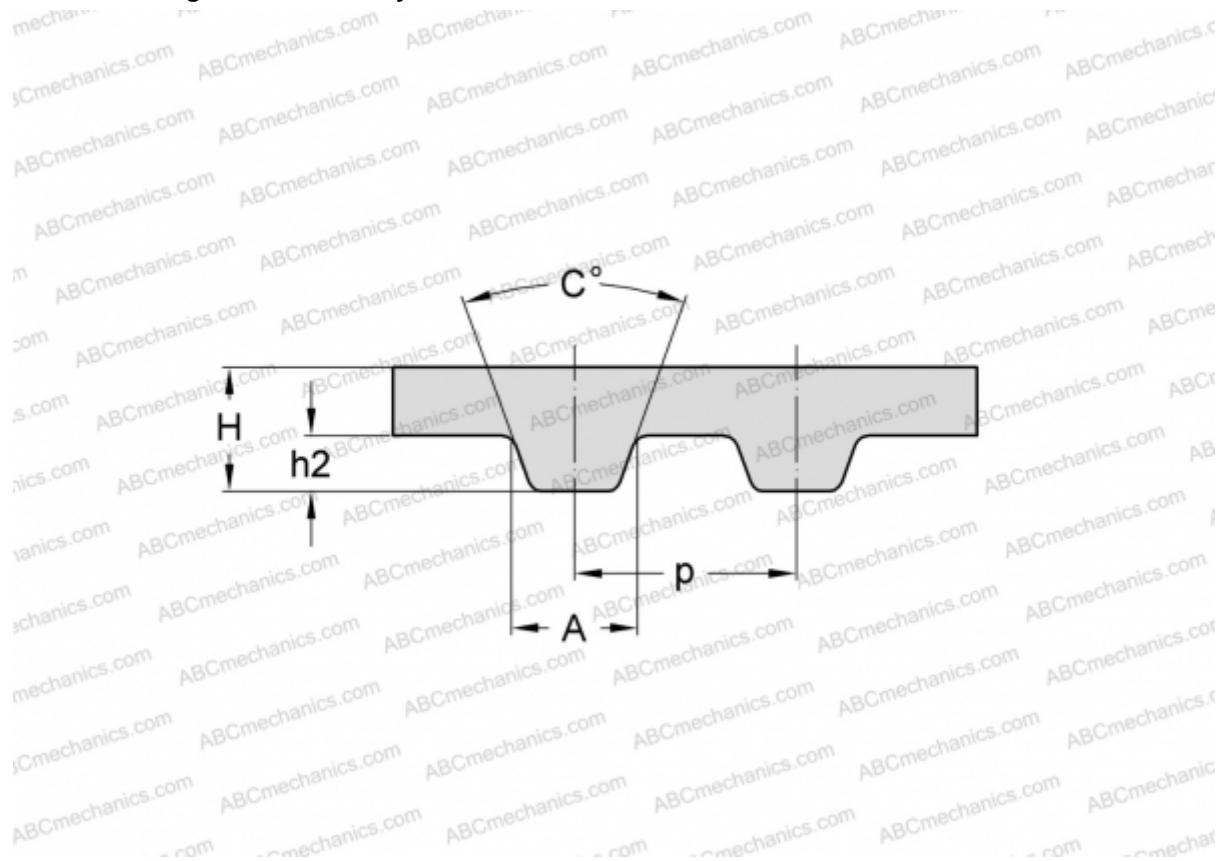


PHG 2000-XXH-300 SKF

Classical timing belt

TYPE: Classical timing belts, Oneway, Classical, Section XXH (SKF)



Technical specification

DIMENSIONS, MM

Pitch teeth, p	31,750
Estimated length	5080,000
Width, W	76,200
Height, H	15,700
C	40,000
h_2	9,530
A	19,050
Number of teeth	160

MANUFACTURER

[SKF](#)