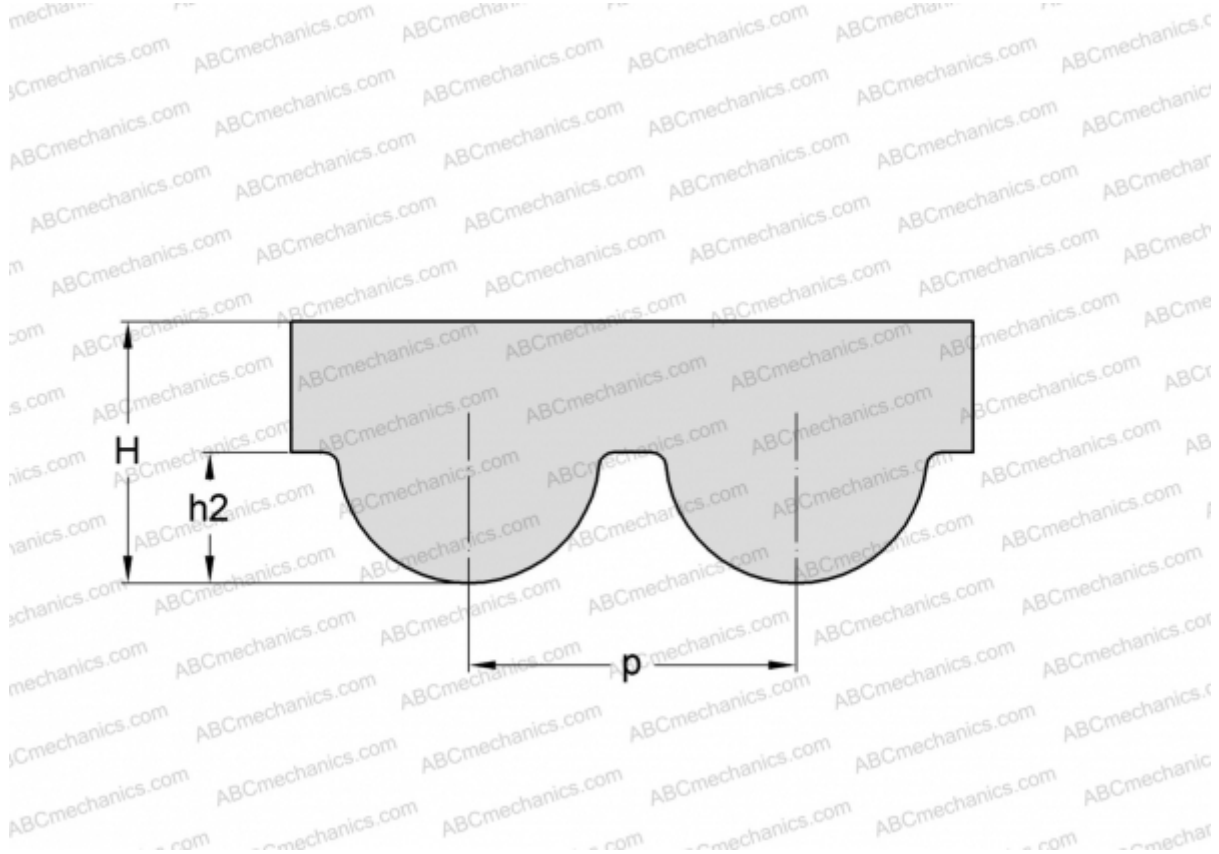


PHG 312-3M-6 SKF

HiTD belt

TYPE: Classical timing belts, Oneway, HiTD, Section 3M (SKF)



Technical specification

DIMENSIONS, MM

| | |
|------------------|---------|
| Pitch teeth, p | 3,000 |
| Estimated length | 312,000 |
| Width, W | 6,000 |
| Height, H | 2,400 |
| h_2 | 1,200 |
| Number of teeth | 104 |

MANUFACTURER

[SKF](#)